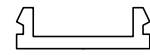
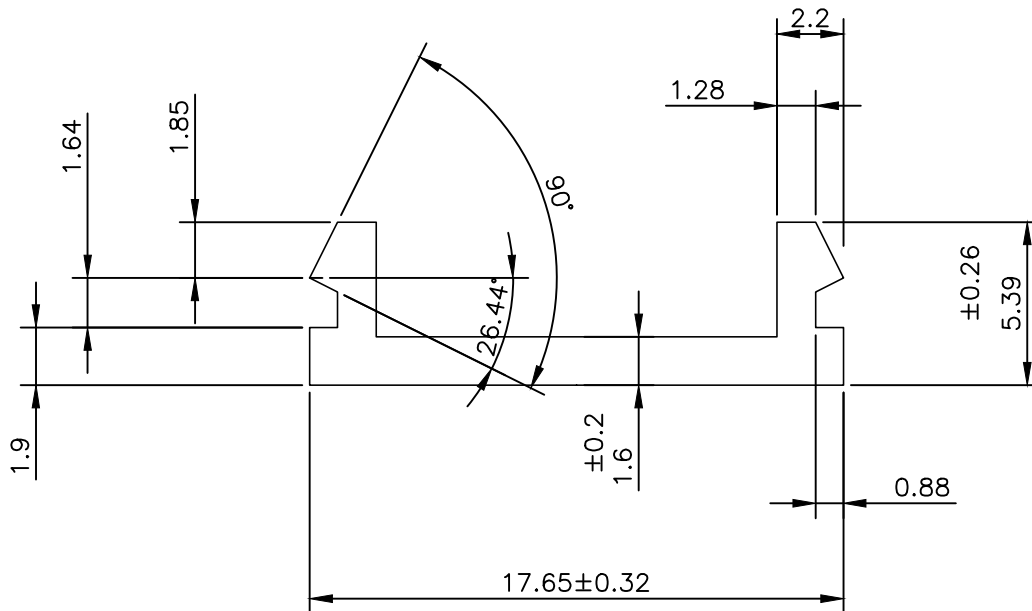


IAL-D-3068

41570



SCALE:1:1



SYMBOL OF QUALITY  
AN ISO 9001 COMPANY

**JINDAL ALUMINIUM LTD.**  
BANGALORE-560073 (INDIA)

	NAME	DATE
DRAWN	S.K.SHARMA	02-03-2022
CHECKED		
APPROVED		

1. ALL DIMENSIONS ARE IN mm.
2. ROUND OFF ALL SHARP CORNERS WITH 0.40 mm.
3. TOLERANCES WILL BE AS PER BS:EN-755-9 , UNLESS OTHERWISE SPECIFIED

SCALE	1:1&4:1
AREA mm <sup>2</sup>	41.0
PERIMETER mm.	55.3
WEIGHT kg/m	0.111

PARTY'S NAME M/S.AHLUWALIA CONTRACTS

DRAWING No. SECTION No.

PARTY'S DRAWING No. AS PER DRAWING

IAL-D-3068  
41570 41570

ALLOY & TEMPER 6063 T6

DESCRIPTION GLAZING CLIP