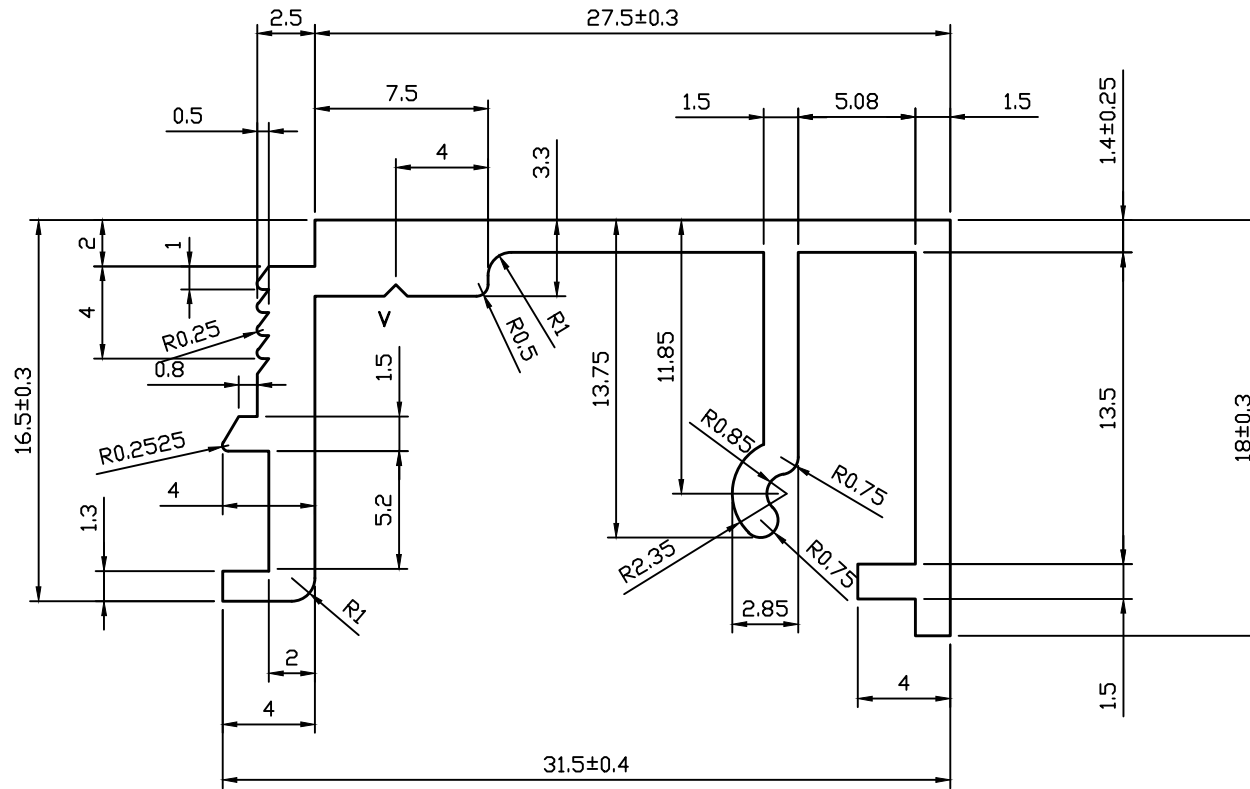



SCALE: 1:1



NOTE:-

 $V = 0.50 \times 90^\circ$ 

 SYMBOL OF QUALITY AN ISO 9001 COMPANY	<b>JINDAL ALUMINIUM LTD.</b> BANGALORE-560073 (INDIA)		NAME	DATE
			DRAWN	S.K.SHARMA 11-03-2022
			CHECKED	
			APPROVED	
1. ALL DIMENSIONS ARE IN mm. 2. ROUND OFF ALL SHARP CORNERS WITH 0.40 mm. 3. TOLERANCES WILL BE AS PER IS:6477-1983 , UNLESS OTHERWISE SPECIFIED			SCALE	1:1&4:1
			AREA mm <sup>2</sup>	130.0
			PERIMETER mm.	164.34
			WEIGHT kg/m	0.351
PARTY'S NAME	M/S. HARMONY SYSTEM	DRAWING No.	SECTION No.	
PARTY'S DRAWING No.	AS PER DRAWING	IAL-D-5339	-	
ALLOY & TEMPER	6063 T6	41572	41572	
DESCRIPTION	GLAZING CLIP			