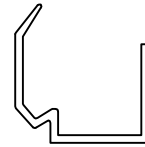
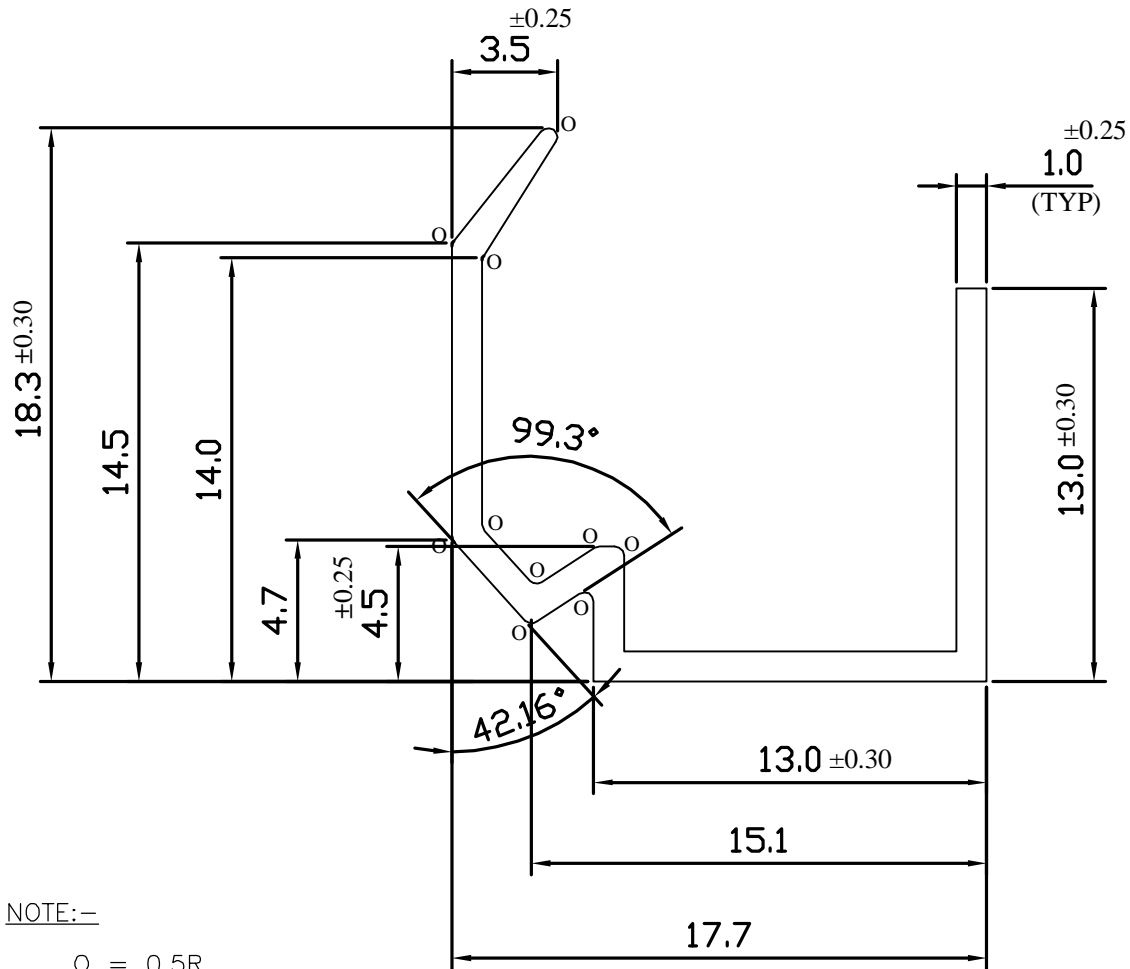


IAL-D-5739

41575

ACTUAL SIZE

NOTE:-

O = 0.5R



SYMBOL OF QUALITY
AN ISO 9001 COMPANY

JINDAL ALUMINIUM LTD.
BANGALORE-560073 (INDIA)

	NAME	DATE
DRAWN	SK.SHARMA	28-03-2022
CHECKED		
APPROVED		

1. ALL DIMENSIONS ARE IN mm.
2. ROUND OFF ALL SHARP CORNERS WITH 0.40 mm.
3. TOLERANCES WILL BE AS PER BS:EN-755-9 , UNLESS OTHERWISE SPECIFIED

SCALE	1:1&4:1
AREA mm ²	47.6
PERIMETER mm.	97.06
WEIGHT kg/m	0.129

PARTY'S NAME	M/S. ALPRO INDUSTRIES
--------------	-----------------------

PARTY'S DRAWING No.	AS PER DRAWING
---------------------	----------------

ALLOY & TEMPER	6063-T6
----------------	---------

DESCRIPTION	--
-------------	----

DRAWING No.	SECTION No.
IAL-D-5739	--
41575	41575