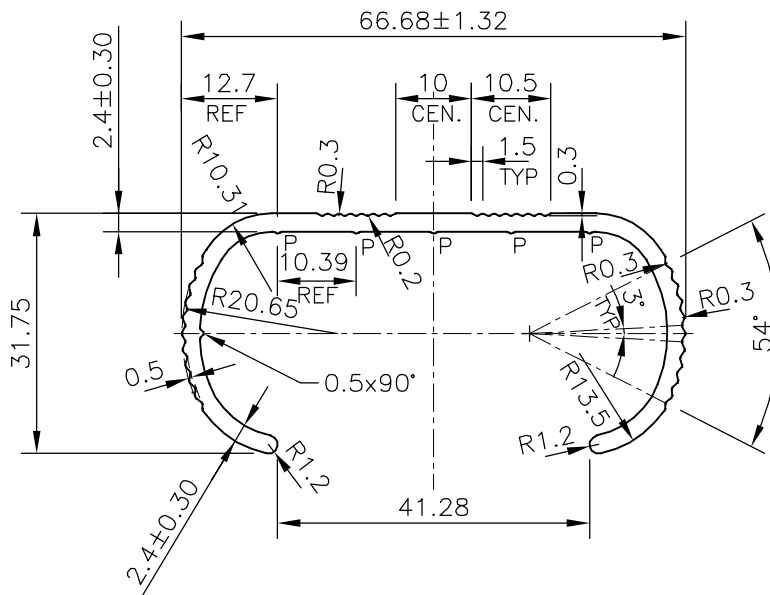


P-13400-1

42001



P = PIP 0.3x90° (5 PLACES)



SYMBOL OF QUALITY  
AN ISO 9001 COMPANY

**JINDAL ALUMINIUM LTD.**  
BANGALORE-560073 (INDIA)

	NAME	DATE
DRAWN	J.P.KAUSHIK	19-08-2019
CHECKED		
APPROVED	B.NATARAJA	22-10-2019
SCALE		1:1
AREA mm <sup>2</sup>		285.238
PERIMETER mm.		259.216
WEIGHT kg/m		0.770
DRAWING No.	SECTION No.	
P-13400-1	-	
42001	42001	

1. ALL DIMENSIONS ARE IN mm.
2. ROUND OFF ALL SHARP CORNERS WITH 0.40 mm.
3. TOLERANCES WILL BE AS PER IS:3965-1981, UNLESS OTHERWISE SPECIFIED

PARTY'S NAME	GENERAL CATEGORY , MUMBAI MARKET
PARTY'S DRAWING No.	AS PER DRAWING
ALLOY & TEMPER	HE30 WP
DESCRIPTION	LADDER SECTION