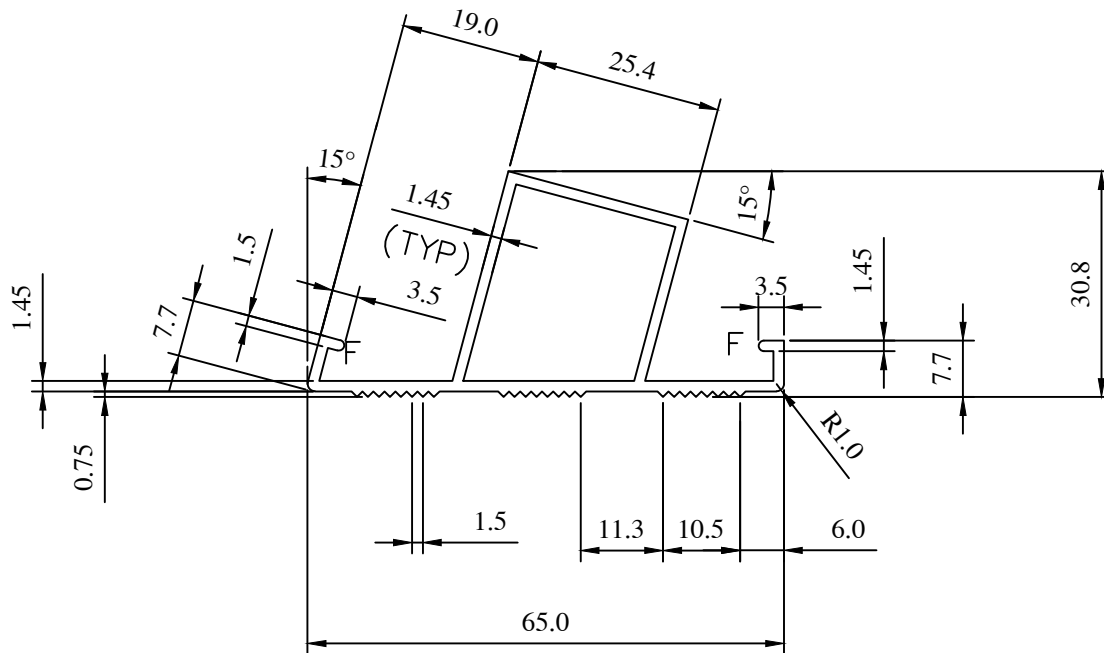


IAL-D-0314


42007



NOTE: -

F = FULL RADIUS

TWIST =  $\pm 1/4^\circ/300$  mm./mtr.  
 FLATNESS = WIDTH X 0.005mm.  
 STRAIGHTNESS = 1.50 mm./mtr.  
 ANGULARITY =  $\pm 1.5^\circ$

 SYMBOL OF QUALITY AN ISO 9001 COMPANY	<b>JINDAL ALUMINIUM LTD.</b> BANGALORE-560073 (INDIA)	NAME	DATE
		DRAWN	PARVESH 23-12-2021
1. ALL DIMENSIONS ARE IN mm. 2. ROUND OFF ALL SHARP CORNERS WITH 0.40 mm. 3. TOLERANCES WILL BE AS PER IS:6477-1983 , UNLESS OTHERWISE SPECIFIED		CHECKED	
		APPROVED	
PARTY'S NAME		SCALE	
		1:1	
PARTY'S DRAWING No.		AREA mm <sup>2</sup>	240.0
		PERIMETER mm.	234.6
ALLOY & TEMPER		WEIGHT kg/m	0.648
		DRAWING No.	SECTION No.
DESCRIPTION		IAL-D-0314	-
		42007	42007