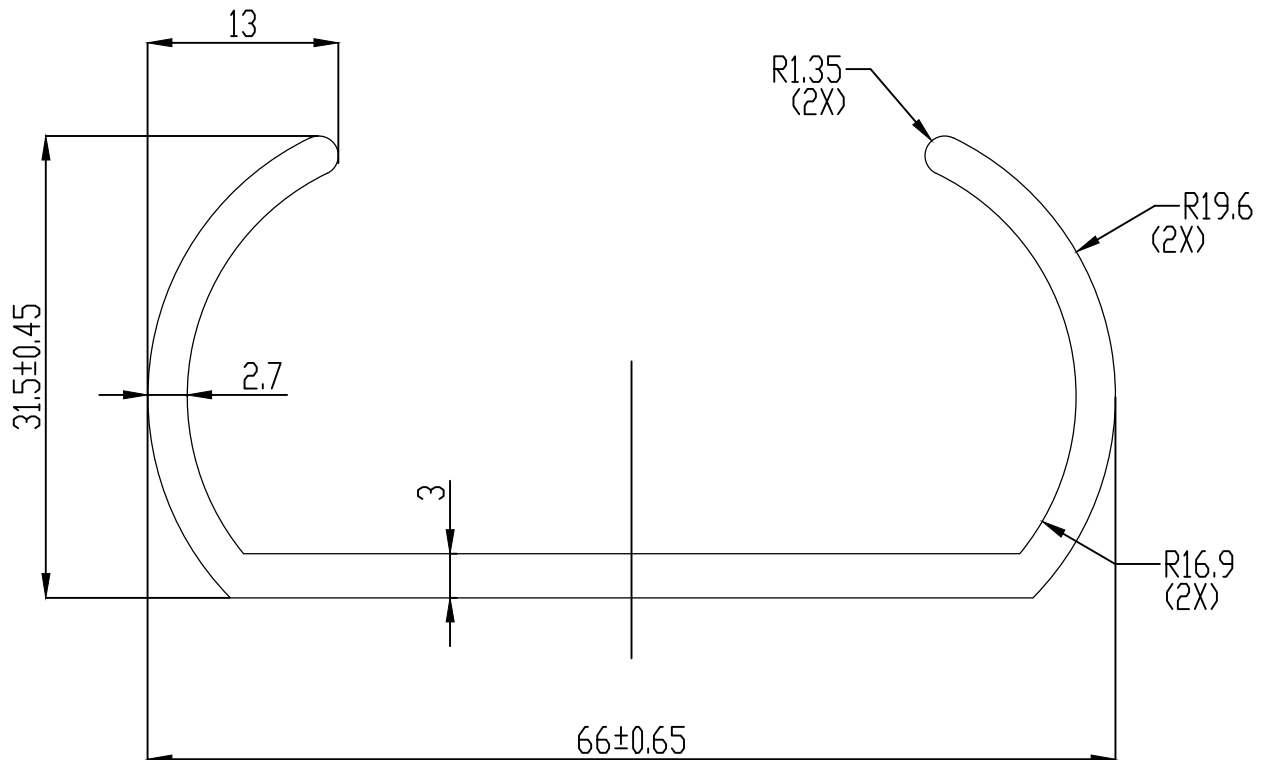


IAL-D-3554

42008



TWIST=±1/4°/300 M.M./M.
 FLATNESS= WIDTH X 0.005mm.
 STRAIGHTNESS= 1.50 M.M./MTR.
 ANGULARITY=±1.5°



SYMBOL OF QUALITY
AN ISO 9001 COMPANY

JINDAL ALUMINIUM LTD.
BANGALORE-560073 (INDIA)

	NAME	DATE
DRAWN	PARVESH	23-12-2021

CHECKED		
APPROVED		

1. ALL DIMENSIONS ARE IN mm.
 2. ROUND OFF ALL SHARP CORNERS WITH 0.40 mm.
 3. TOLERANCES WILL BE AS PER IS:3965-1981 , UNLESS OTHERWISE SPECIFIED

SCALE	1:1
-------	-----

AREA mm ²	350.00
----------------------	--------

PERIMETER mm.	251.60
---------------	--------

WEIGHT kg/m	0.945
-------------	-------

DRAWING No.	SECTION No.
IAL-D-3554	-
42008	42008

PARTY'S NAME

-

PARTY'S DRAWING No.

AS PER DRAWING

ALLOY & TEMPER

6063 T6

DESCRIPTION

LADDER SECTION