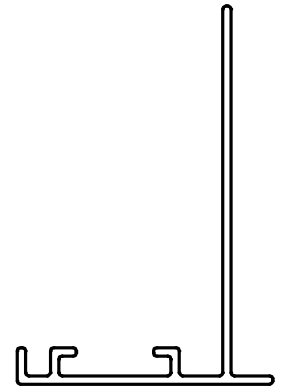
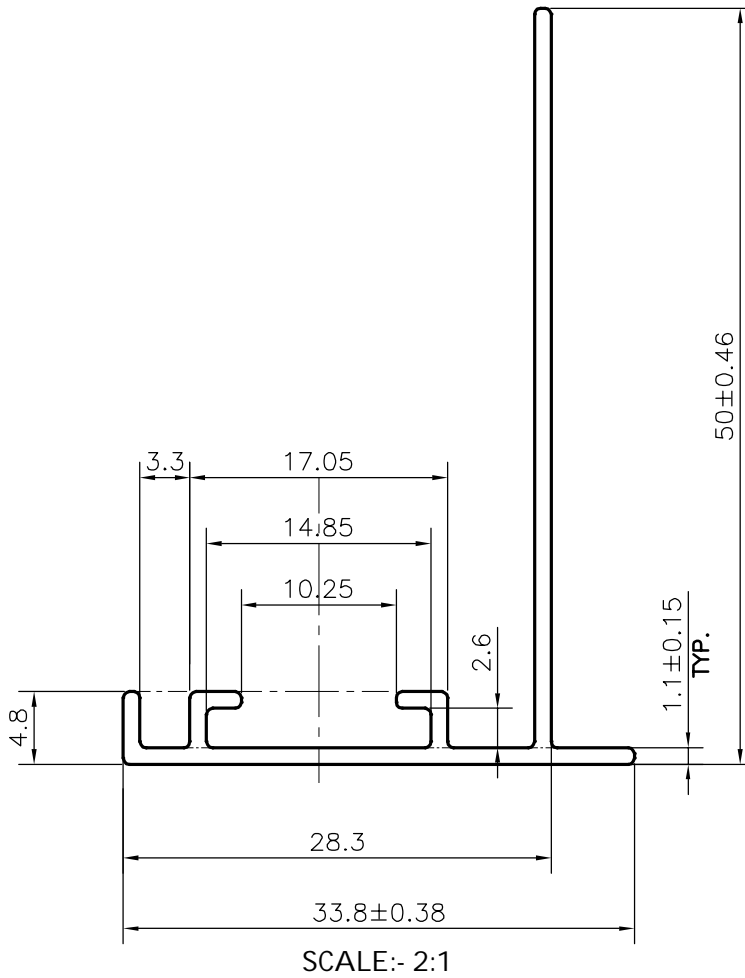


P-21762

42503



SCALE:- 1:1

APPROXIMATE WEIGHT RANGE - 0.245 - 0.353 kg/m

TOLERANCES ON OVERALL WIDTHS & WIDTHS ACROSS FLATS OF BARS, & REGULAR SECTIONS

UPTO 6.40mm - ±0.20	UPTO 32.0mm - ±0.38	UPTO 120.0mm - ±0.85	1. STRAIGHTNESS=1.7mm/M 2. TWIST=1.7mm/M 3. ANGULARITY= ±2° 4. FLATNESS =0.007xWIDTH
UPTO 10.0mm - ±0.23	UPTO 50.0mm - ±0.46	UPTO 160.0mm - ±1.02	
UPTO 12.0mm - ±0.25	UPTO 60.0mm - ±0.53	UPTO 200.0mm - ±1.14	
UPTO 16.0mm - ±0.28	UPTO 80.0mm - ±0.69	UPTO 250.0mm - ±1.40	
UPTO 25.0mm - ±0.30	UPTO 100.0mm - ±0.75	UPTO 300.0mm - ±1.65	



SYMBOL OF QUALITY
AN ISO 9001 COMPANY

JINDAL ALUMINIUM LTD.
BANGALORE-560073 (INDIA)

	NAME	DATE
DRAWN	DARPAN	25-11-2020

CHECKED		
APPROVED	B.NATARAJA	26/11/2020

SCALE	2:1
-------	-----

AREA mm ²	108.103
----------------------	---------

PERIMETER mm.	195.223
---------------	---------

WEIGHT kg/m	0.292
-------------	-------

DRAWING No.	SECTION No.
P-21762	-
42503	42503

1. ALL DIMENSIONS ARE IN mm.
2. ROUND OFF ALL SHARP CORNERS WITH 0.40 mm.
3. TOLERANCES WILL BE AS PER **IS:3965-1981**, UNLESS OTHERWISE SPECIFIED

PARTY'S NAME	BENGAL INDUSTRIES PVT. LTD., FARIDABAD
--------------	--

PARTY'S DRAWING No.	AS PER SAMPLE
---------------------	---------------

ALLOY & TEMPER	6063 T6
----------------	---------

DESCRIPTION	AIR GRILL SECTION
-------------	-------------------