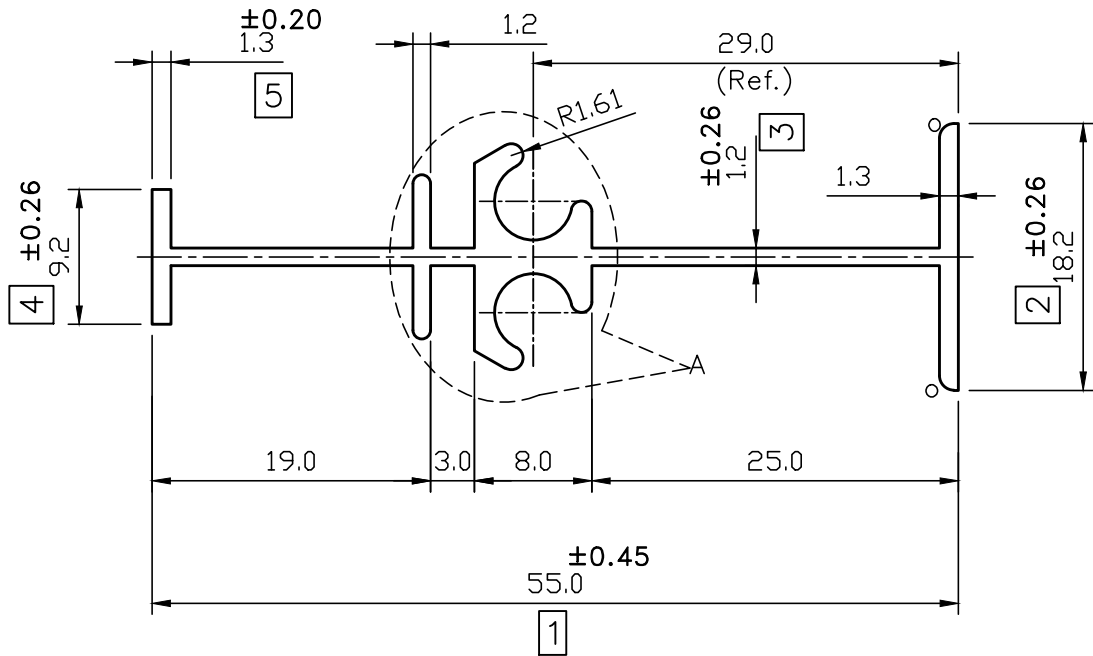
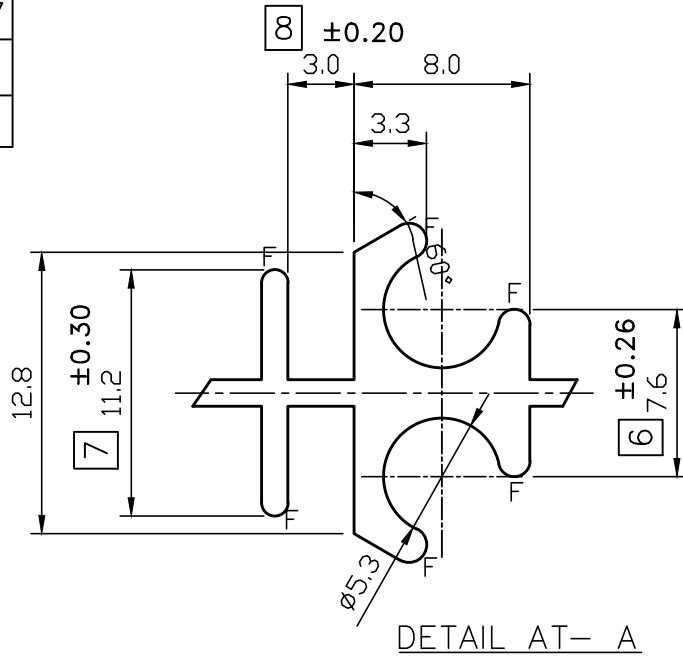


IAL-D-4407
42520




NOTE: -

O= 1.0R

F= Full Radius

TWIST = 1/4°/300M.M.M.  
 STRAIGHTNESS = 1.5 M.M./MTR.  
 ANGULARITY = ±2°

 SYMBOL OF QUALITY AN ISO 9001 COMPANY	<b>JINDAL ALUMINIUM LTD.</b> BANGALORE-560073 (INDIA)	NAME	DATE
		DRAWN	PARVESH 23-12-2021
1. ALL DIMENSIONS ARE IN mm. 2. ROUND OFF ALL SHARP CORNERS WITH 0.40 mm. 3. TOLERANCES WILL BE AS PER IS:3965-1981 , UNLESS OTHERWISE SPECIFIED		CHECKED	
		APPROVED	
PARTY'S NAME -		SCALE	2:1
		AREA mm <sup>2</sup>	153.60
PARTY'S DRAWING No. AS PER DRAWING		PERIMETER mm.	216.72
		WEIGHT kg/m	0.415
ALLOY & TEMPER 6063 T6		DRAWING No.	SECTION No.
		IAL-D-4407	-
DESCRIPTION AIR GRILL SECTION		42520	42520