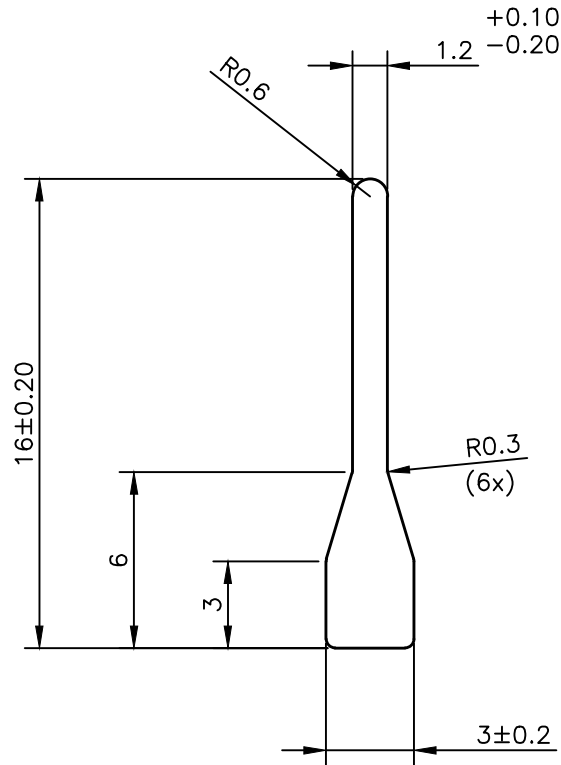


IAL-D-5486

42522



SCALE: 1:1



SYMBOL OF QUALITY
AN ISO 9001 COMPANY

JINDAL ALUMINIUM LTD.
BANGALORE-560073 (INDIA)

	NAME	DATE
DRAWN	S.K.SHARMA	09-02-2022
CHECKED		
APPROVED		

1. ALL DIMENSIONS ARE IN mm.
2. ROUND OFF ALL SHARP CORNERS WITH 0.40 mm.
3. TOLERANCES WILL BE AS PER BS:EN-755-9 , UNLESS OTHERWISE SPECIFIED

SCALE 1:1&4:1

AREA mm² 27.10

PERIMETER mm. 35.69

WEIGHT kg/m 0.073

PARTY'S NAME M/S. RAVISTAR INDIA PVT.LTDL

PARTY'S DRAWING No. AS PER DRAWING

ALLOY & TEMPER 6063-T6

DESCRIPTION AIR GRILL SECTION

DRAWING No. SECTION No.

IAL-D-5486 -

42522 42522