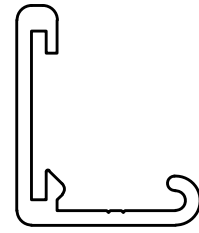
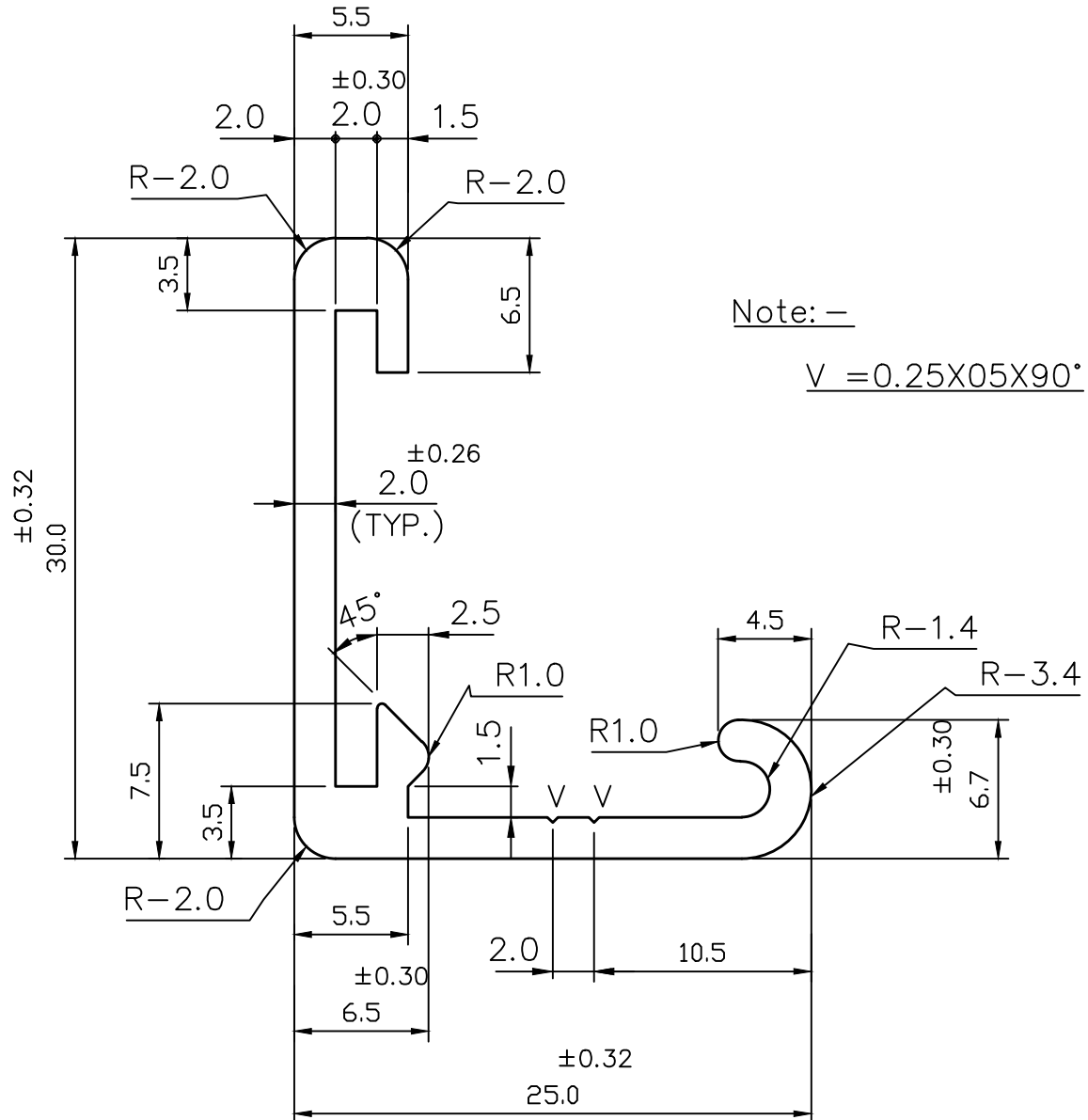


IAL-D-3749

42527



SCALE: 1:1



Note: -

 $V = 0.25 \times 05 \times 90^\circ$ 

SYMBOL OF QUALITY  
AN ISO 9001 COMPANY

**JINDAL ALUMINIUM LTD.**  
BANGALORE-560073 (INDIA)

|          | NAME       | DATE       |
|----------|------------|------------|
| DRAWN    | S.K.SHARMA | 09-02-2022 |
| CHECKED  |            |            |
| APPROVED |            |            |

1. ALL DIMENSIONS ARE IN mm.
2. ROUND OFF ALL SHARP CORNERS WITH 0.40 mm.
3. TOLERANCES WILL BE AS PER BS:EN-755-9 , UNLESS OTHERWISE SPECIFIED

|                      |         |
|----------------------|---------|
| SCALE                | 1:1&3:1 |
| AREA mm <sup>2</sup> | 145.0   |
| PERIMETER mm.        | 138.6   |
| WEIGHT kg/m          | 0.391   |

| DRAWING No. | SECTION No. |
|-------------|-------------|
| IAL-D-3749  | -           |
| 42527       | 42527       |