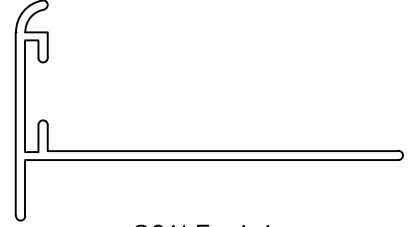
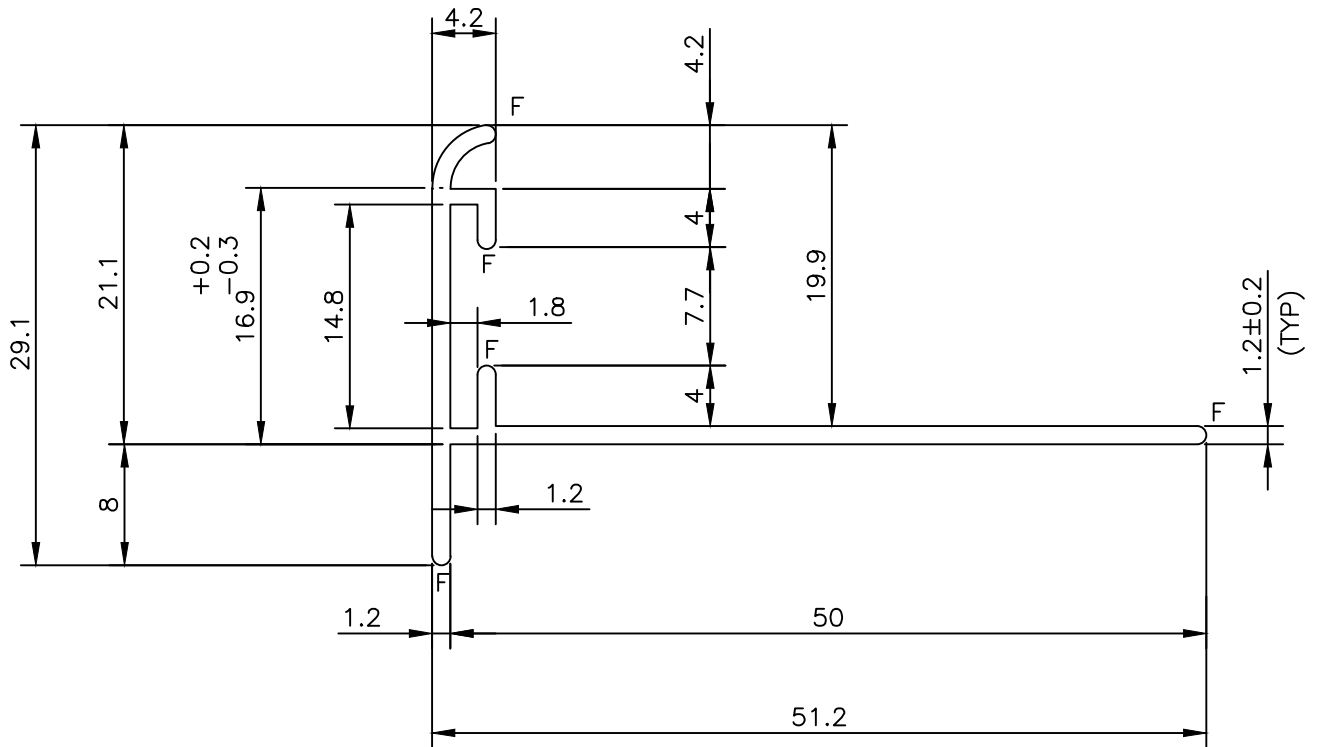


IAL-D-800

42528



SCALE: 1:1



NOTE:-

F = FULL RADIUS

SYMBOL OF QUALITY
AN ISO 9001 COMPANY

JINDAL ALUMINIUM LTD.
BANGALORE-560073 (INDIA)

	NAME	DATE
DRAWN	S.K.SHARMA	19-02-2022
CHECKED		
APPROVED		

1. ALL DIMENSIONS ARE IN mm.
2. ROUND OFF ALL SHARP CORNERS WITH 0.40 mm.
3. TOLERANCES WILL BE AS PER BS:EN-755-9 , UNLESS OTHERWISE SPECIFIED

SCALE	1:1&2:1
AREA mm ²	107.0
PERIMETER mm.	181.0
WEIGHT kg/m	0.291

PARTY'S NAME	CARYAIRE	DRAWING No.	IAL-D-800	SECTION No.	-
PARTY'S DRAWING No.	AS PER DRAWING		42528		42528
ALLOY & TEMPER	6063-T6				
DESCRIPTION	AIR GRILL SECTION				