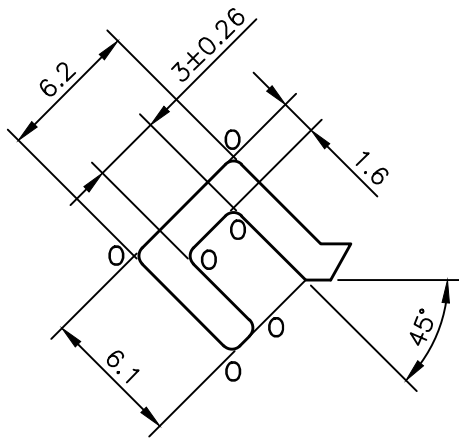
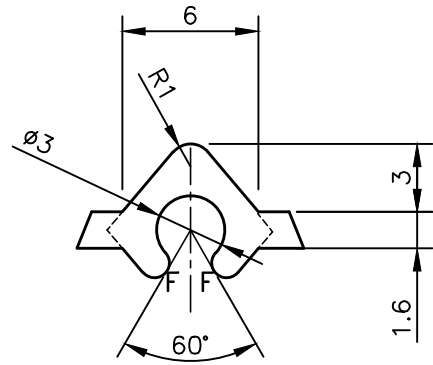


IAL-D-4812

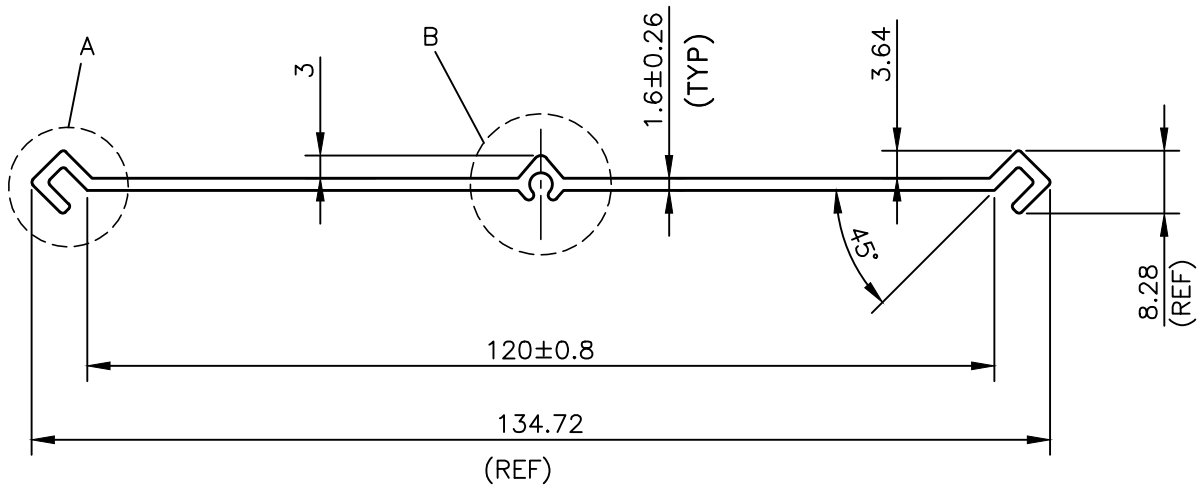
42535



DETAIL AT- A



DETAIL AT- B



NOTE:-

 $O = 0.50R$ $F = \text{Full Radius}$ TWIST = $1/4^\circ/300 \text{ M.M.}$ FLATNESS = $\text{WIDTH} \times 0.005 \text{ mm.}$ STRAIGHTNESS = 1.50 mm./mtr. ANGULARITY = $\pm 1.5^\circ$ SYMBOL OF QUALITY
AN ISO 9001 COMPANY

JINDAL ALUMINIUM LTD.
BANGALORE-560073 (INDIA)

	NAME	DATE
DRAWN	S.K.SHARMA	08-03-2022
CHECKED		
APPROVED		

1. ALL DIMENSIONS ARE IN mm.
2. ROUND OFF ALL SHARP CORNERS WITH 0.40 mm.
3. TOLERANCES WILL BE AS PER BS:EN-755-9 , UNLESS OTHERWISE SPECIFIED

SCALE	1:1&2:1
AREA mm ²	246.4
PERIMETER mm.	309.33
WEIGHT kg/m	0.665
DRAWING No.	SECTION No.
IAL-D-4812	-
42535	42535

PARTY'S NAME	M/S. RAVISTAR
PARTY'S DRAWING No.	AS PER DRAWING
ALLOY & TEMPER	6063-T6
DESCRIPTION	AIR GRILL SECTION