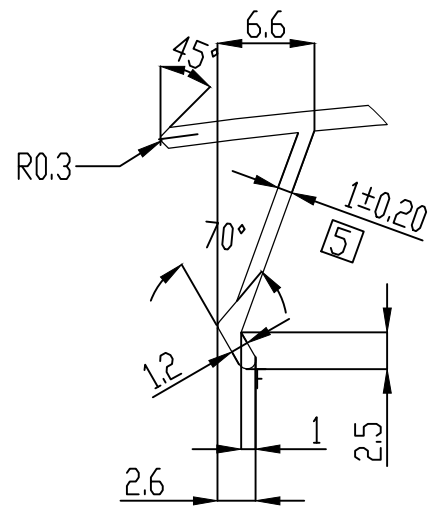
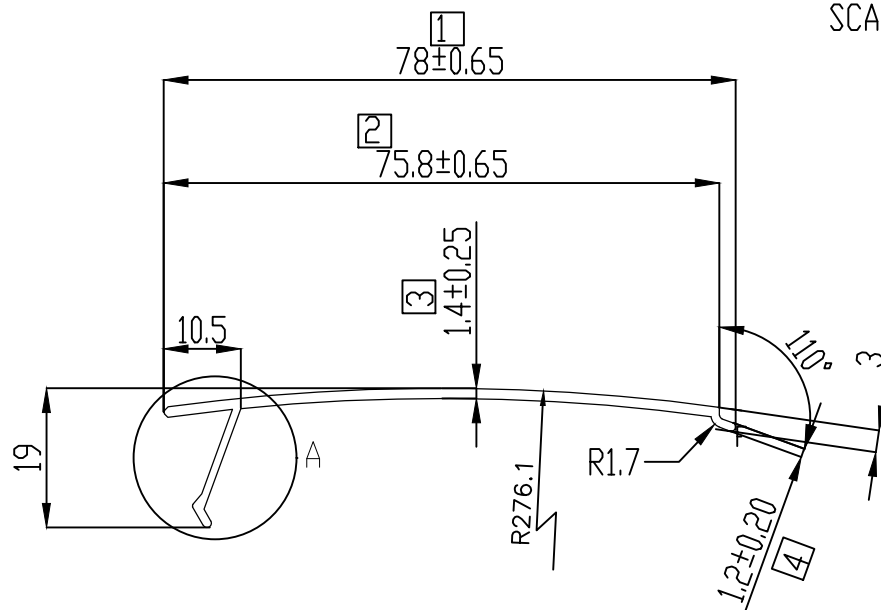


IAL-D-6193

43620

DETAIL A
SCALE 2 : 1**NOTE:-**

F= Full Radius

TWIST=±1/4°/300 M.M./M.
 FLATNESS= WIDTH X 0.005mm.
 STRAIGHTNESS= 1.50 M.M./MTR.
 ANGULARITY=±1.5°



SYMBOL OF QUALITY
AN ISO 9001 COMPANY

JINDAL ALUMINIUM LTD.
BANGALORE-560073 (INDIA)

1. ALL DIMENSIONS ARE IN mm.
2. ROUND OFF ALL SHARP CORNERS WITH 0.40 mm.
3. TOLERANCES WILL BE AS PER IS:3965-1981 , UNLESS OTHERWISE SPECIFIED

| | NAME | DATE |
|----------------------|-------------|------------|
| DRAWN | PARVESH | 00-12-2021 |
| CHECKED | | |
| APPROVED | | |
| SCALE | | 1:1 |
| AREA mm ² | | 128.52 |
| PERIMETER mm. | | 194.85 |
| WEIGHT kg/m | | 0.347 |
| DRAWING No. | SECTION No. | |
| IAL-D-6193 | - | |
| 43620 | 43620 | |
| | | |
| | | |

| | |
|---------------------|----------------------------|
| PARTY'S NAME | - |
| PARTY'S DRAWING No. | AS PER DRAWING |
| ALLOY & TEMPER | 6063 T6 |
| DESCRIPTION | INDUSTRIAL-MADICAL SECTION |