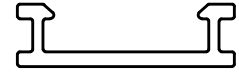
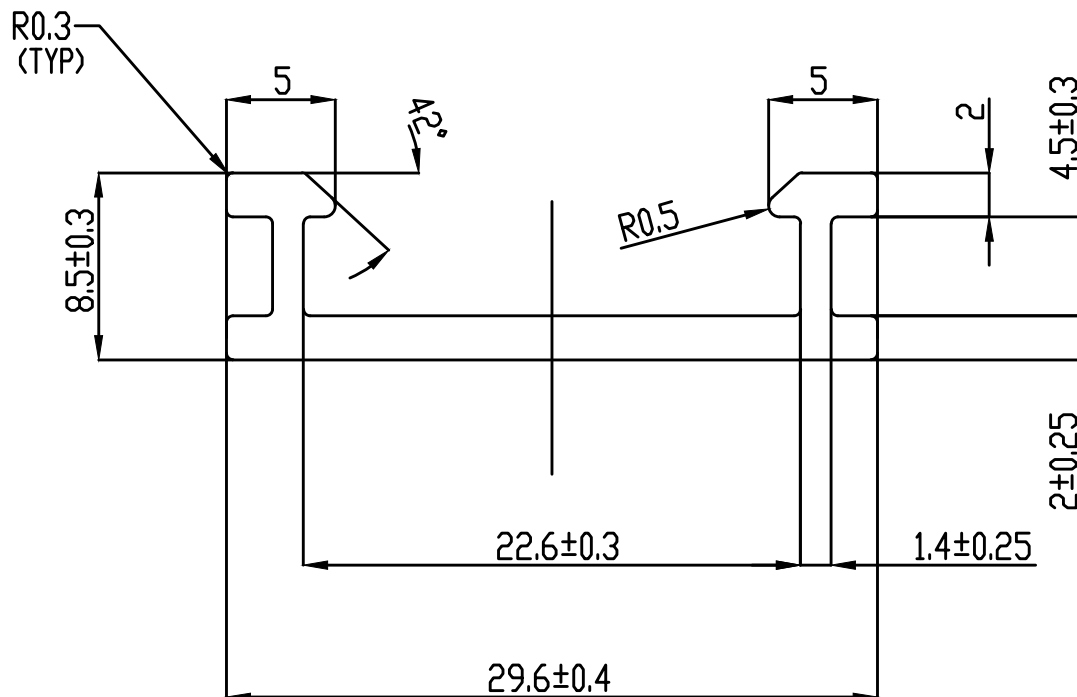


IAL-D-7346

43628



ACTUAL SIZE



TWIST= ± 1.7 M.M./MTR.
 FLATNESS = WIDTH X 0.008 MM.
 STRAIGHTNESS= 1.70 M.M./MTR
 ANGULARITY= $\pm 2^\circ$



SYMBOL OF QUALITY
AN ISO 9001 COMPANY

JINDAL ALUMINIUM LTD.
BANGALORE-560073 (INDIA)

1. ALL DIMENSIONS ARE IN mm.
2. ROUND OFF ALL SHARP CORNERS WITH 0.40 mm.
3. TOLERANCES WILL BE AS PER IS:3965-1981 , UNLESS OTHERWISE SPECIFIED

	NAME	DATE
DRAWN	PARVESH	22-12-2021
CHECKED		
APPROVED		
SCALE		1:1
AREA mm ²		89.69
PERIMETER mm.		99.27
WEIGHT kg/m		0.242
DRAWING No.	SECTION No.	
IAL-D-7346	-	
43628	43628	

PARTY'S NAME	-
PARTY'S DRAWING No.	AS PER DRAWING
ALLOY & TEMPER	6063-T6
DESCRIPTION	INDUSTRIAL SECTION