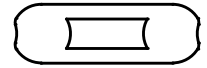
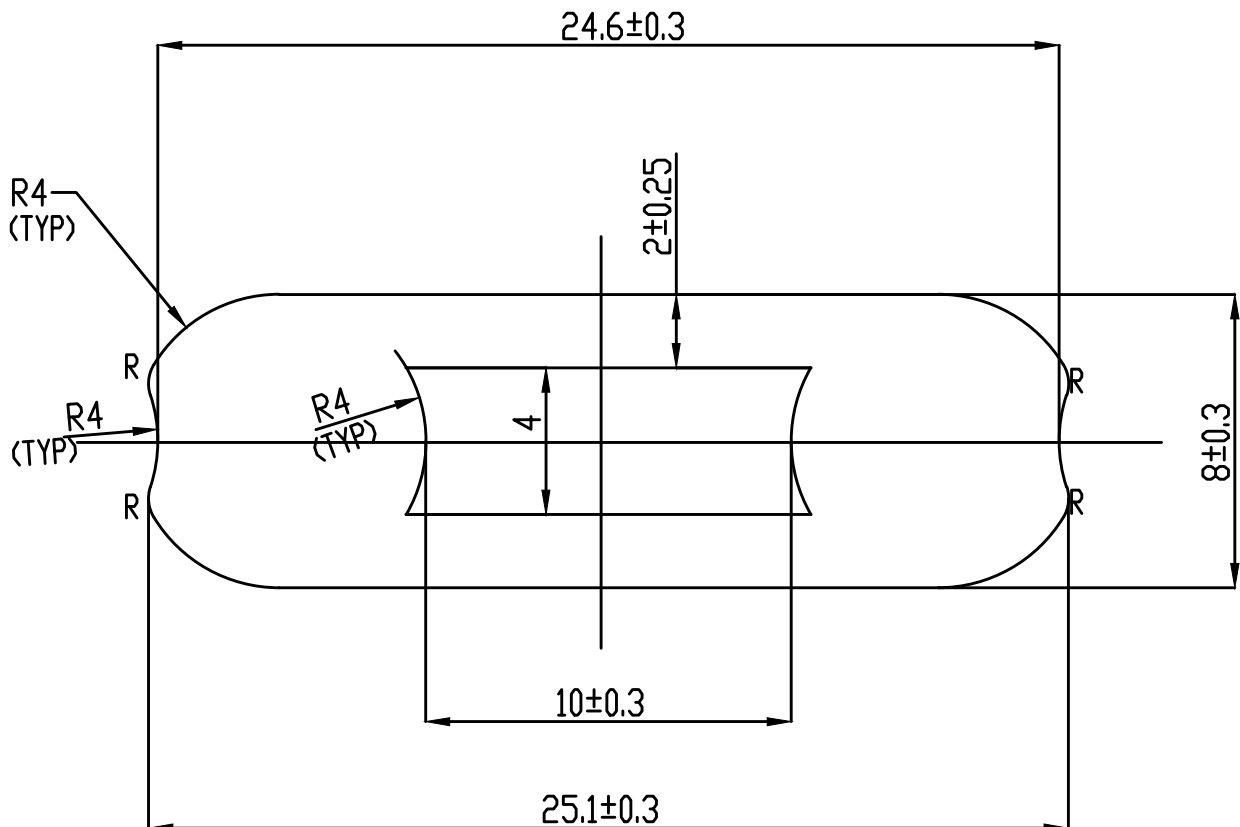


IAL-D-7347

43629



ACTUAL SIZE



SYMBOL OF QUALITY  
AN ISO 9001 COMPANY

**JINDAL ALUMINIUM LTD.**  
BANGALORE-560073 (INDIA)

NAME DATE

DRAWN **PARVESH** 22-12-2021

CHECKED

APPROVED

1. ALL DIMENSIONS ARE IN mm.
2. ROUND OFF ALL SHARP CORNERS WITH 0.40 mm.
3. TOLERANCES WILL BE AS PER IS:6477-1983 , UNLESS OTHERWISE SPECIFIED

SCALE 5:1

AREA mm<sup>2</sup> 150.0

PERIMETER mm. 60.87

WEIGHT kg/m 0.405

PARTY'S NAME

-

DRAWING No.

SECTION No.

PARTY'S DRAWING No.

AS PER DRAWING

IAL-D-7347

-

ALLOY &amp; TEMPER

6063 T6

43629

43629

DESCRIPTION

INDUSTRIAL SECTION