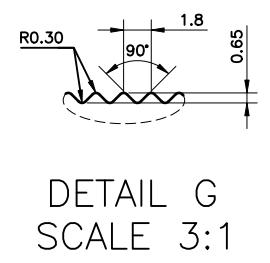
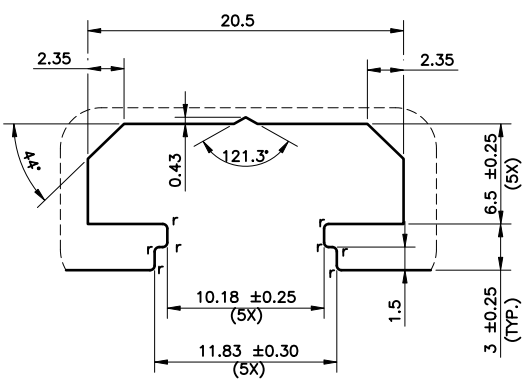
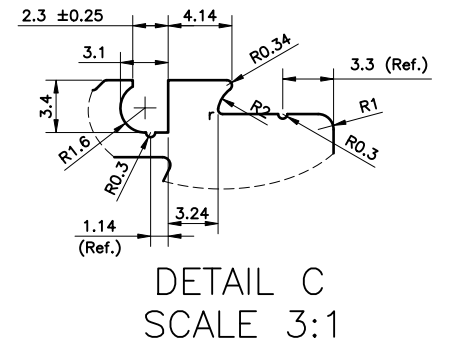
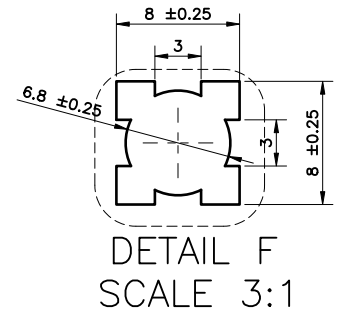
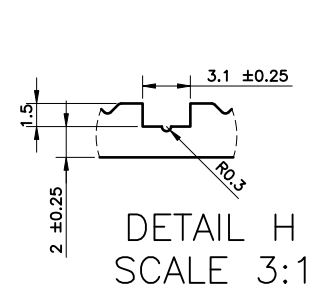
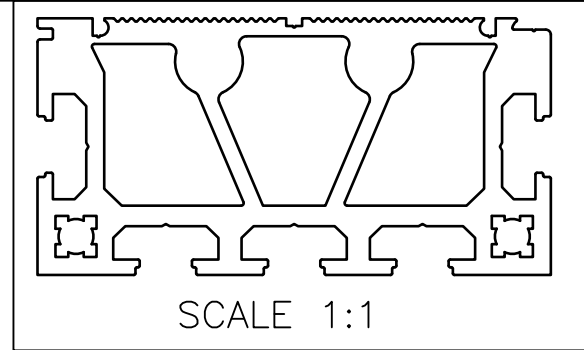
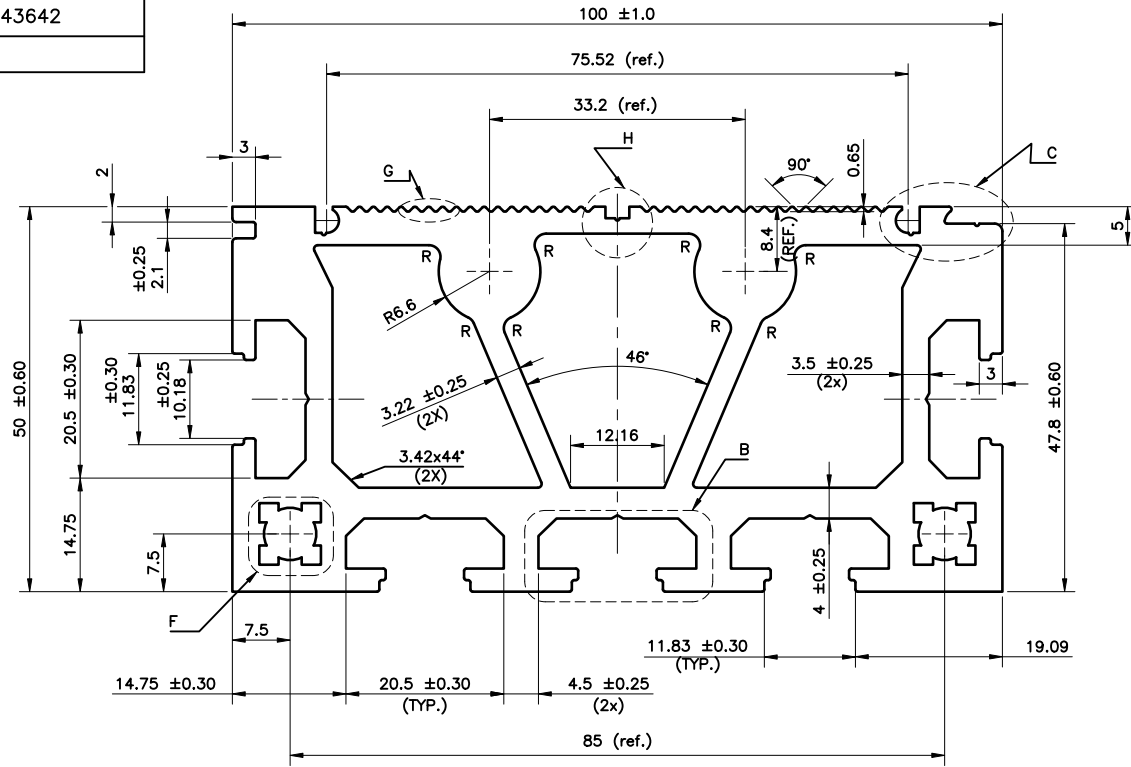


IAL-D-6839

43642



NOTE:-
r = 0.30R
R = 1.50R

<p>SYMBOL OF QUALITY AN ISO 9001 COMPANY</p>	<p>JINDAL ALUMINIUM LTD. BHIWADI-301019 (INDIA)</p>		NAME	DATE
	<p>1. ALL DIMENSIONS ARE IN mm. 2. ROUND OFF ALL SHARP CORNERS WITH 0.40 mm. 3. TOLERANCES WILL BE AS PER BS:EN-755-9, UNLESS OTHERWISE SPECIFIED</p>		<p>DRAWN S.KSHARMA</p>	<p>29-12-2021</p>
PARTY'S NAME	M/S. JBM AUTO. LTD.	SCALE	1:1&1.5:1	
PARTY'S DRAWING No.	AS PER DRAWING	AREA mm ²	2026.72	
ALLOY & TEMPER	6063-T6	PERIMETER mm.	522.75	
DESCRIPTION	INDUSTRIAL SECTION	WEIGHT kg/m	5.472	
		DRAWING No.	SECTION No.	
		IAL-D-6839	43642	
		43642	43642	