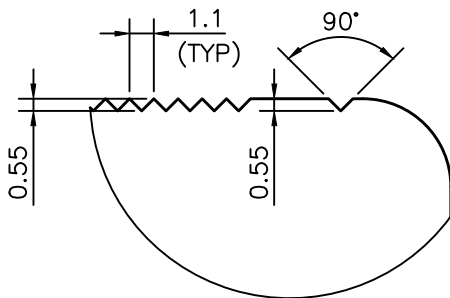
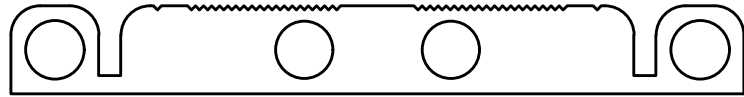


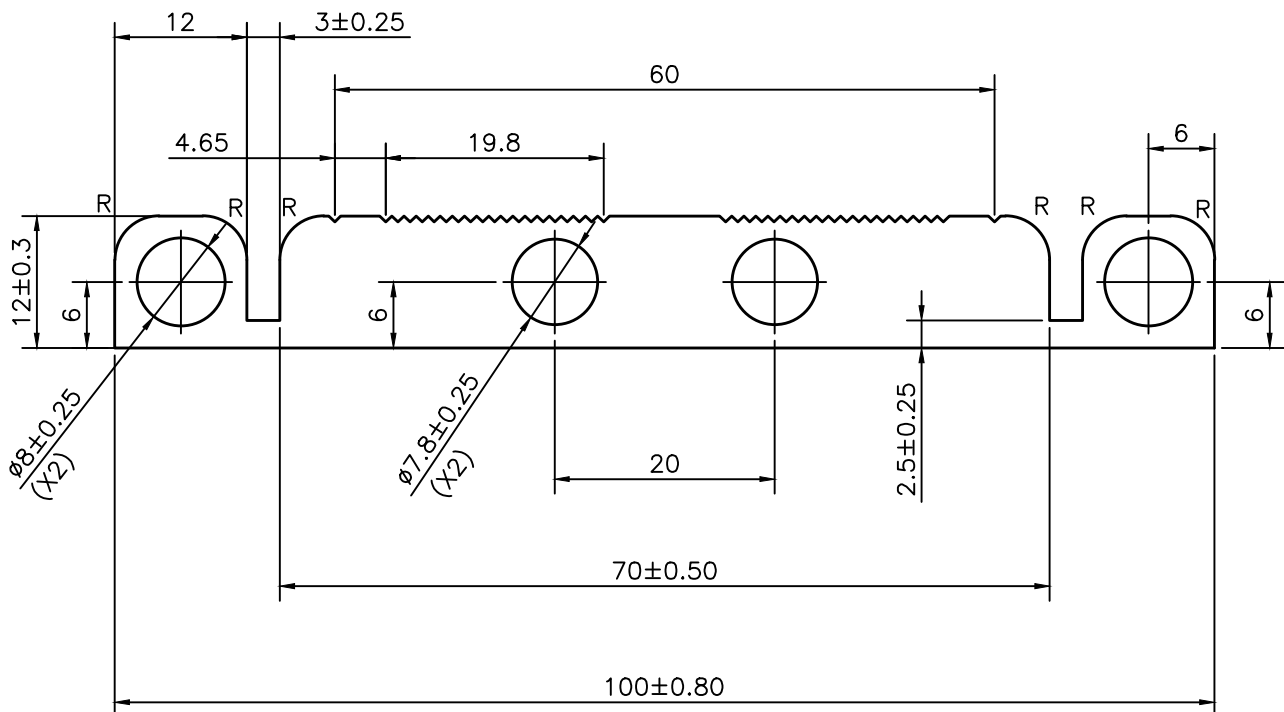
IAL-D-5101

43651



NOTE:-

$$R = 4.0R$$



SYMBOL OF QUALITY
AN ISO 9001 COMPANY

JINDAL ALUMINIUM LTD.
BANGALORE-560073 (INDIA)

NAME

DATE

DRAWN S.K.SHARMA 21-01-2022

CHECKED

APPROVED

1. ALL DIMENSIONS ARE IN mm.
2. ROUND OFF ALL SHARP CORNERS WITH 0.40 mm.
3. TOLERANCES WILL BE AS PER BS:EN-755-9 , UNLESS OTHERWISE SPECIFIED

SCALE

1:1&2:1

AREA mm²

914.2

PERIMETER mm.

2697.93

WEIGHT kg/m

2.468

PARTY'S NAME

M/S. U.V.GRAPHIC

DRAWING No.

SECTION No.

PARTY'S DRAWING No.

AS PER DRAWING

IAL-D-5101

-

ALLOY & TEMPER

6063-T6

43651

43651

DESCRIPTION

INDUSTRIAL SECTION