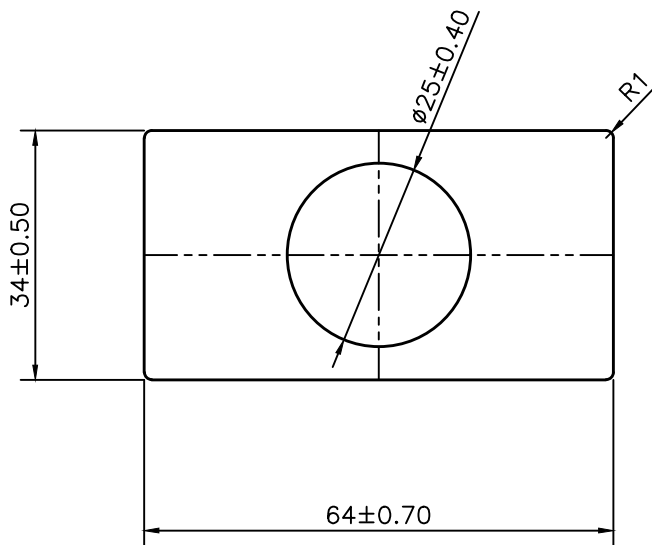



IAL-B-1806
43653



 SYMBOL OF QUALITY AN ISO 9001 COMPANY	JINDAL ALUMINIUM LTD. BANGALORE-560073 (INDIA)	NAME		DATE
		DRAWN	S.K.SHARMA	27-01-2022
1. ALL DIMENSIONS ARE IN mm. 2. ROUND OFF ALL SHARP CORNERS WITH 0.40 mm. 3. TOLERANCES WILL BE AS PER BS:EN-755-9 , UNLESS OTHERWISE SPECIFIED		CHECKED		
		APPROVED		
PARTY'S NAME M/S. ADARSH CASTING		SCALE		1:1
		AREA mm ²		1684.27
PARTY'S DRAWING No. AS PER DRAWING		PERIMETER mm.		194.28
		WEIGHT kg/m		4.547
ALLOY & TEMPER 6063 T6		DRAWING No.		SECTION No.
		IAL-B-1806		-
DESCRIPTION -		43653		43653