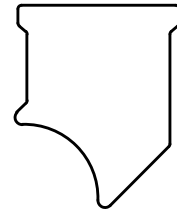


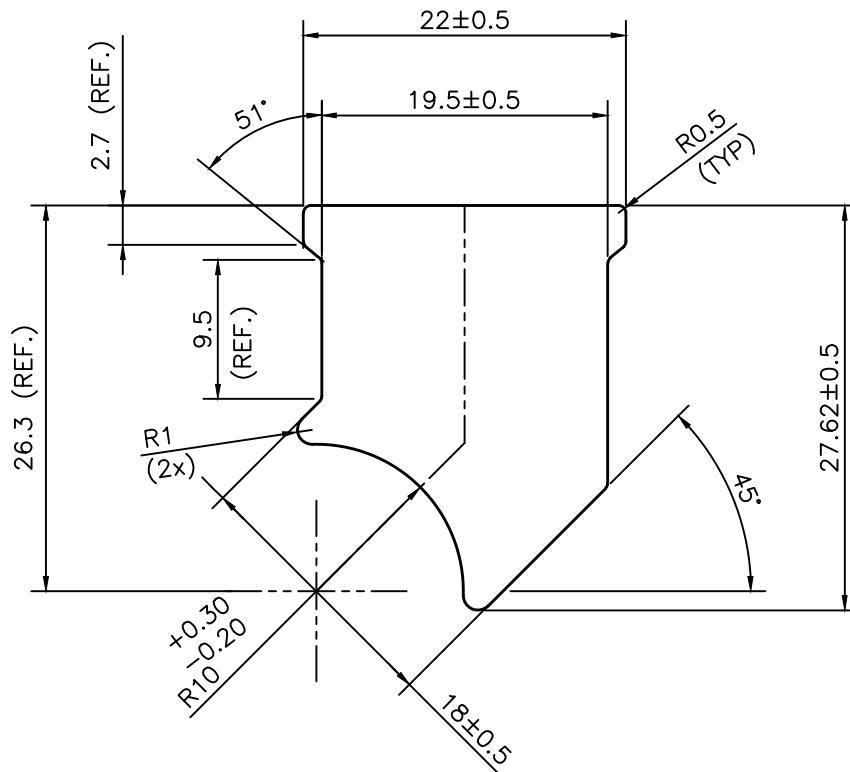
IAL-A-1055

43654



ACTUAL SIZE

LENGTH = 2000±10mm.



NOTE:—

Unmarked Radius = 0.5R



SYMBOL OF QUALITY
AN ISO 9001 COMPANY

JINDAL ALUMINIUM LTD.
BANGALORE-560073 (INDIA)

	NAME	DATE
DRAWN	S.K.SHARMA	27-01-2022
CHECKED		
APPROVED		
SCALE		1:1&2:1
AREA mm ²		426.42
PERIMETER mm.		89.53
WEIGHT kg/m		1.151
DRAWING No.	SECTION No.	
IAL-A-1055	-	
43654	43654	

1. ALL DIMENSIONS ARE IN mm.
2. ROUND OFF ALL SHARP CORNERS WITH 0.40 mm.
3. TOLERANCES WILL BE AS PER BS:EN-755-9 , UNLESS OTHERWISE SPECIFIED

PARTY'S NAME	M/S.PRANAV VIKAS
PARTY'S DRAWING No.	AS PER DRAWING
ALLOY & TEMPER	6063 T6
DESCRIPTION	AUTOMOBILE SECTION