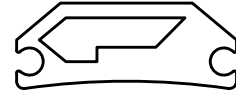


IAL-D-4892

43656

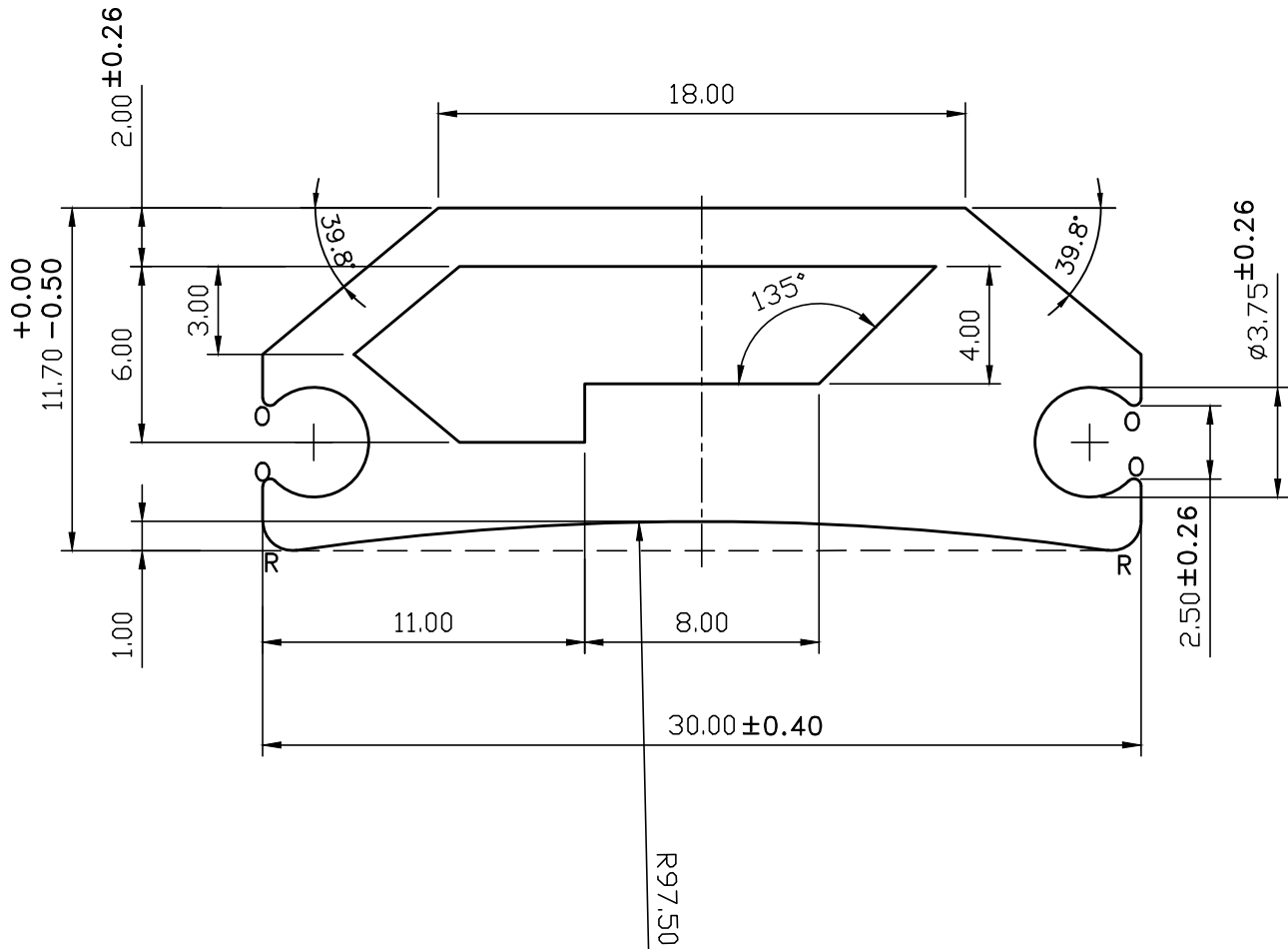


ACTUAL SIZE

NOTE:-

O = 0.25R

R = 1.00R



SYMBOL OF QUALITY  
AN ISO 9001 COMPANY

**JINDAL ALUMINIUM LTD.**  
BANGALORE-560073 (INDIA)

	NAME	DATE
DRAWN	S.K.SHARMA	28-01-2022
CHECKED		
APPROVED		
SCALE		1:1
AREA mm <sup>2</sup>		203.25
PERIMETER mm.		90.28
WEIGHT kg/m		0.549
DRAWING No.	SECTION No.	
IAL-D-4892	-	
43656	43656	

1. ALL DIMENSIONS ARE IN mm.
2. ROUND OFF ALL SHARP CORNERS WITH 0.40 mm.
3. TOLERANCES WILL BE AS PER BS:EN-755-9 , UNLESS OTHERWISE SPECIFIED

PARTY'S NAME	M/S.SUTRON POLYMERS
PARTY'S DRAWING No.	AS PER DRAWING
ALLOY & TEMPER	6063-T6
DESCRIPTION	INDUSTRIAL SECTION