

IAL-D-4614

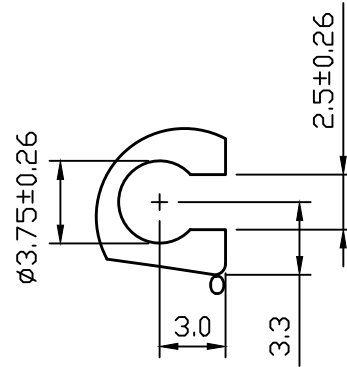
43657

NOTE:-

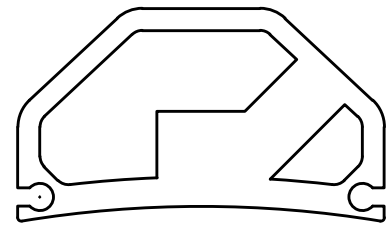
O= 0.50R

R= 2.00R

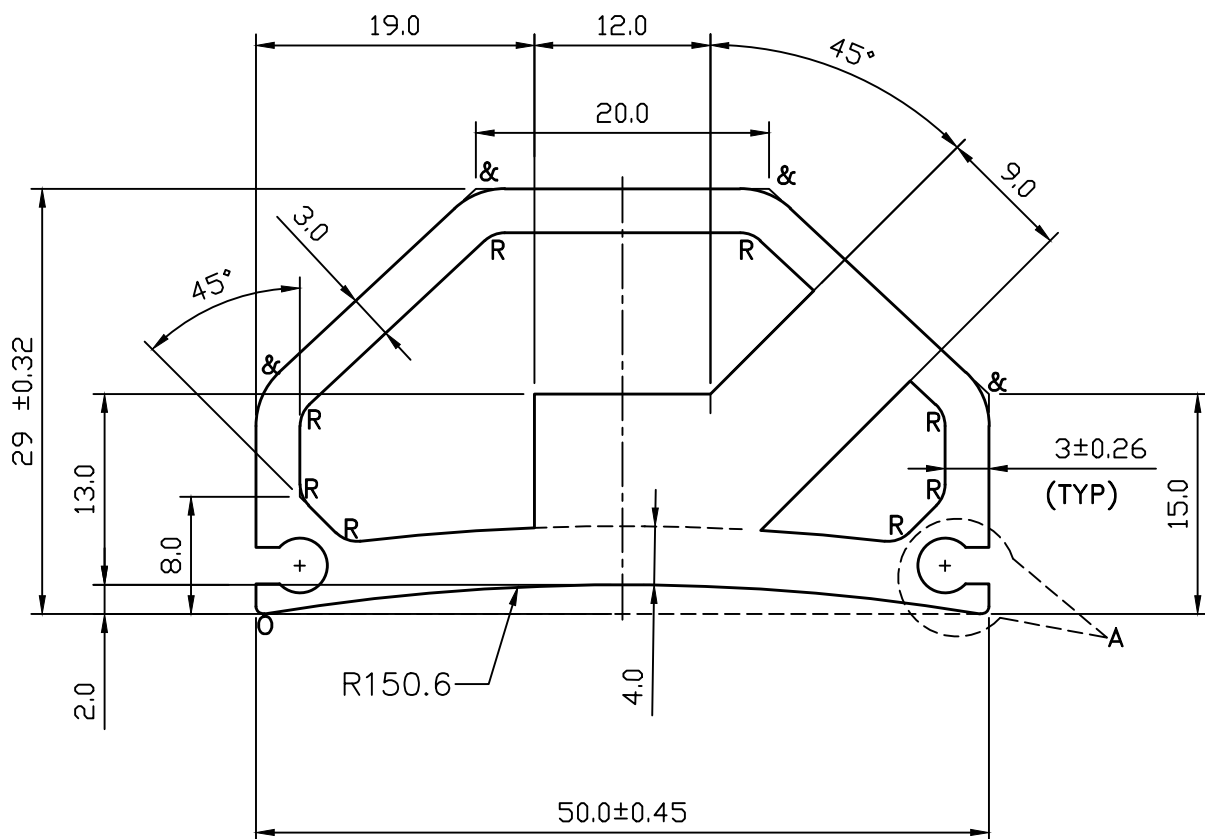
&= 5.00R



DETAIL AT- A



ACTUAL SIZE

SYMBOL OF QUALITY
AN ISO 9001 COMPANY

JINDAL ALUMINIUM LTD.
BANGALORE-560073 (INDIA)

	NAME	DATE
DRAWN	S.K.SHARMA	29-01-2022
CHECKED		
APPROVED		
SCALE		1:1&2:1
AREA mm ²		649.0
PERIMETER mm.		159.5
WEIGHT kg/m		1.753
DRAWING No.	SECTION No.	
IAL-D-4614	-	
43657	43657	

1. ALL DIMENSIONS ARE IN mm.
2. ROUND OFF ALL SHARP CORNERS WITH 0.40 mm.
3. TOLERANCES WILL BE AS PER BS:EN-755-9 , UNLESS OTHERWISE SPECIFIED

PARTY'S NAME	M/S. SUTRON POLYMER
PARTY'S DRAWING No.	AS PER DRAWING
ALLOY & TEMPER	6063-T6
DESCRIPTION	INDUSTRIAL SECTION