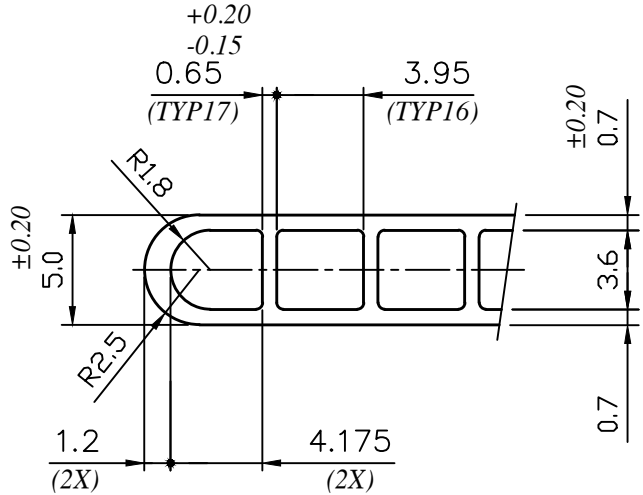


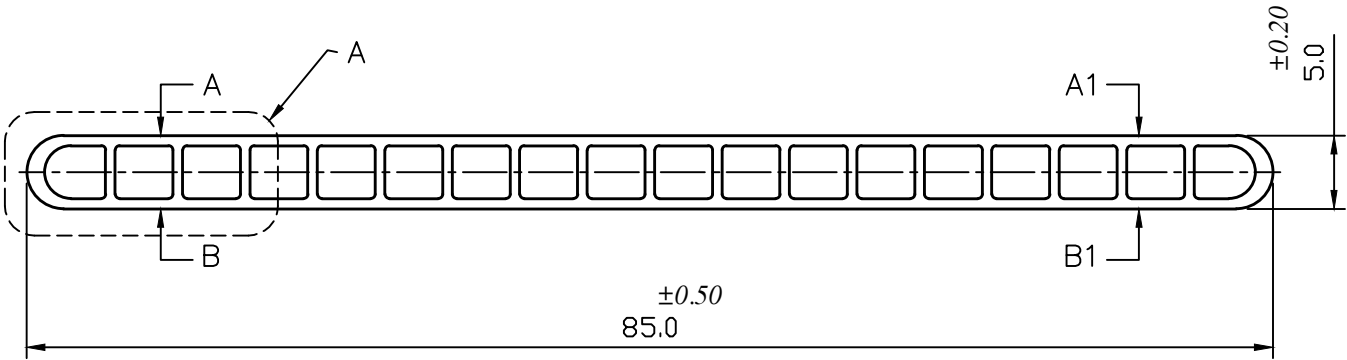
IAL-D-3422
43662



ACTUAL SIZE




DETAIL AT-A



NOTE:-

- (1) DIFFERENCE IN THICKNESS 1, e A-B, A1 - B1 SHOULD BE  $\leq 0.20$
- (2) PRODUCTION LENGTH - 2225 M.M.

 SYMBOL OF QUALITY AN ISO 9001 COMPANY	<b>JINDAL ALUMINIUM LTD.</b> BANGALORE-560073 (INDIA)	NAME	DATE
		DRAWN	S.K.SHARMA 10-02-2022
1. ALL DIMENSIONS ARE IN mm. 2. ROUND OFF ALL SHARP CORNERS WITH 0.40 mm. 3. TOLERANCES WILL BE AS PER BS:EN-755-9 , UNLESS OTHERWISE SPECIFIED		CHECKED	
		APPROVED	
PARTY'S NAME M/S. PRANAV VIKAS (I) LTD.		SCALE	1:1&4:1
		AREA mm <sup>2</sup>	168.0
PARTY'S DRAWING No. AS PER DRAWING		PERIMETER mm.	174.2
		WEIGHT kg/m	0.453
ALLOY & TEMPER 1050 AA		DRAWING No.	SECTION No.
		IAL-D-3422	-
DESCRIPTION AUTOMOBILE SECTION		43662	43662