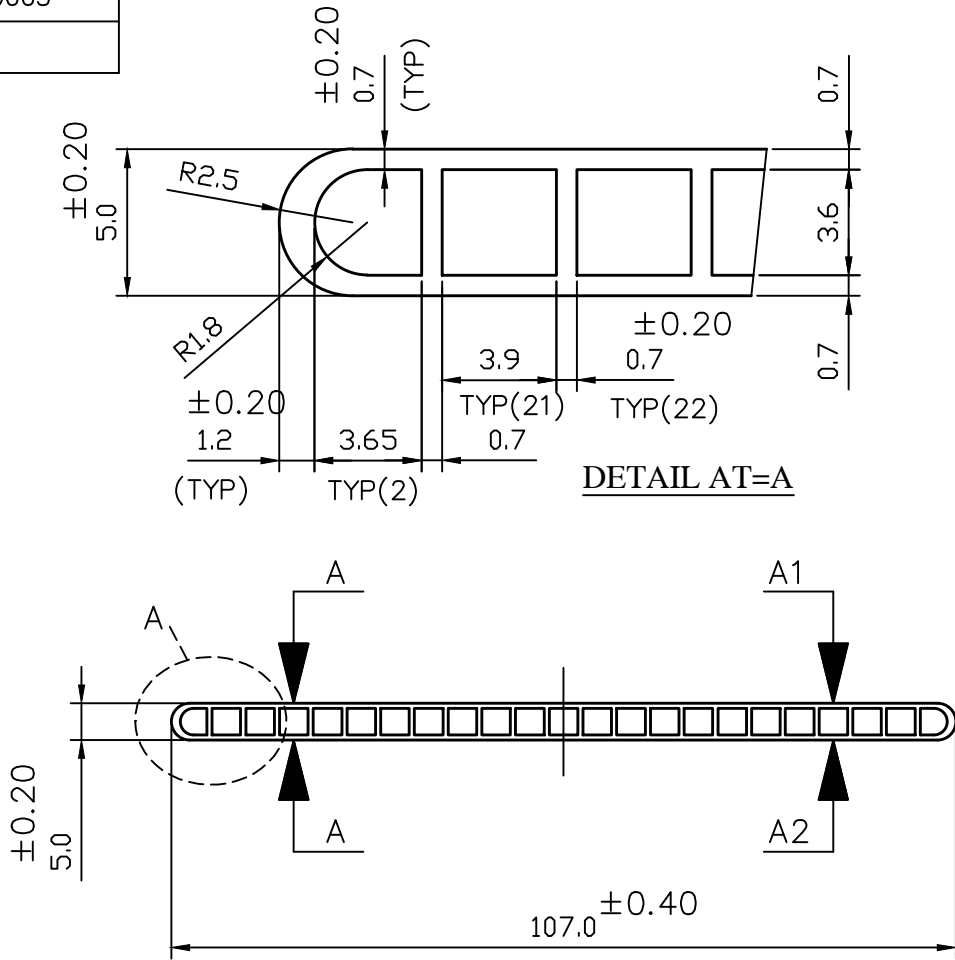



| |
|------------|
| IAL-D-2796 |
| 43663 |
| |



NOTE: -

DIFFERENCE BETWEEN A-B & A1-A2 SHOULD BE WITHIN 0.2 OR LESS

| | | | |
|---|--|----------------------|-----------------------|
|  SYMBOL OF QUALITY AN ISO 9001 COMPANY | JINDAL ALUMINIUM LTD. BANGALORE-560073 (INDIA) | NAME | DATE |
| | | DRAWN | S.K.SHARMA 10-02-2022 |
| 1. ALL DIMENSIONS ARE IN mm. 2. ROUND OFF ALL SHARP CORNERS WITH 0.40 mm. 3. TOLERANCES WILL BE AS PER BS:EN-755-9 , UNLESS OTHERWISE SPECIFIED | | CHECKED | |
| | | APPROVED | |
| PARTY'S NAME M/S. PRANAV VIKAS (I) LTD. | | SCALE | 1:1&4:1 |
| | | AREA mm ² | 211.36 |
| PARTY'S DRAWING No. AS PER DRAWING | | PERIMETER mm. | 219.7 |
| | | WEIGHT kg/m | 0.571 |
| ALLOY & TEMPER 1050 AA | | DRAWING No. | SECTION No. |
| | | IAL-D-2796 | - |
| DESCRIPTION AUTOMOBILE SECTION | | 43663 | 43663 |
| | | | |