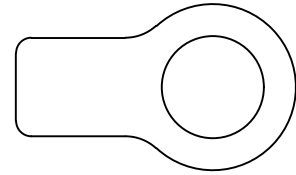
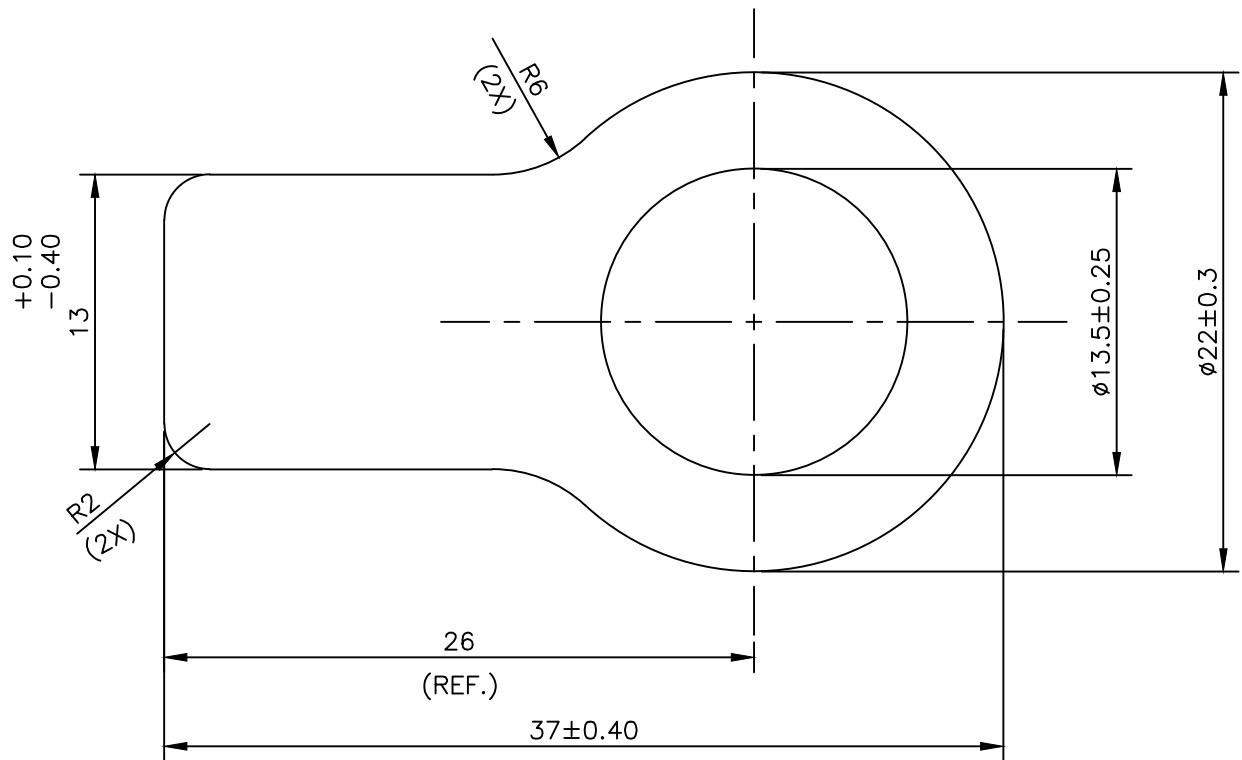


IAL-B-917

43669



SCALE:1:1



NOTE:-

LENGTH-2000±10mm.

THERE SHOULD BE NO DENT/SCRATCHES ON THE MATERIAL



SYMBOL OF QUALITY
AN ISO 9001 COMPANY

JINDAL ALUMINIUM LTD.
BANGALORE-560073 (INDIA)

	NAME	DATE
DRAWN	S.K.SHARMA	26-02-2022
CHECKED		
APPROVED		

1. ALL DIMENSIONS ARE IN mm.
2. ROUND OFF ALL SHARP CORNERS WITH 0.40 mm.
3. TOLERANCES WILL BE AS PER BS:EN-755-9 , UNLESS OTHERWISE SPECIFIED

SCALE	1:1&2:1
AREA mm ²	440.75
PERIMETER mm.	100.12
WEIGHT kg/m	1.190

PARTY'S NAME	M/S. PRANAV VIKAS (I) PVT.LTD.	DRAWING No.	IAL-B-917	SECTION No.	-
PARTY'S DRAWING No.	AS PER DRAWING		43669		43669
ALLOY & TEMPER	6063-T6				
DESCRIPTION	AUTOMOBILE SECTION				