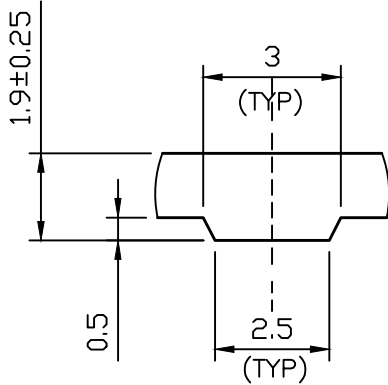


IAL-D-7438

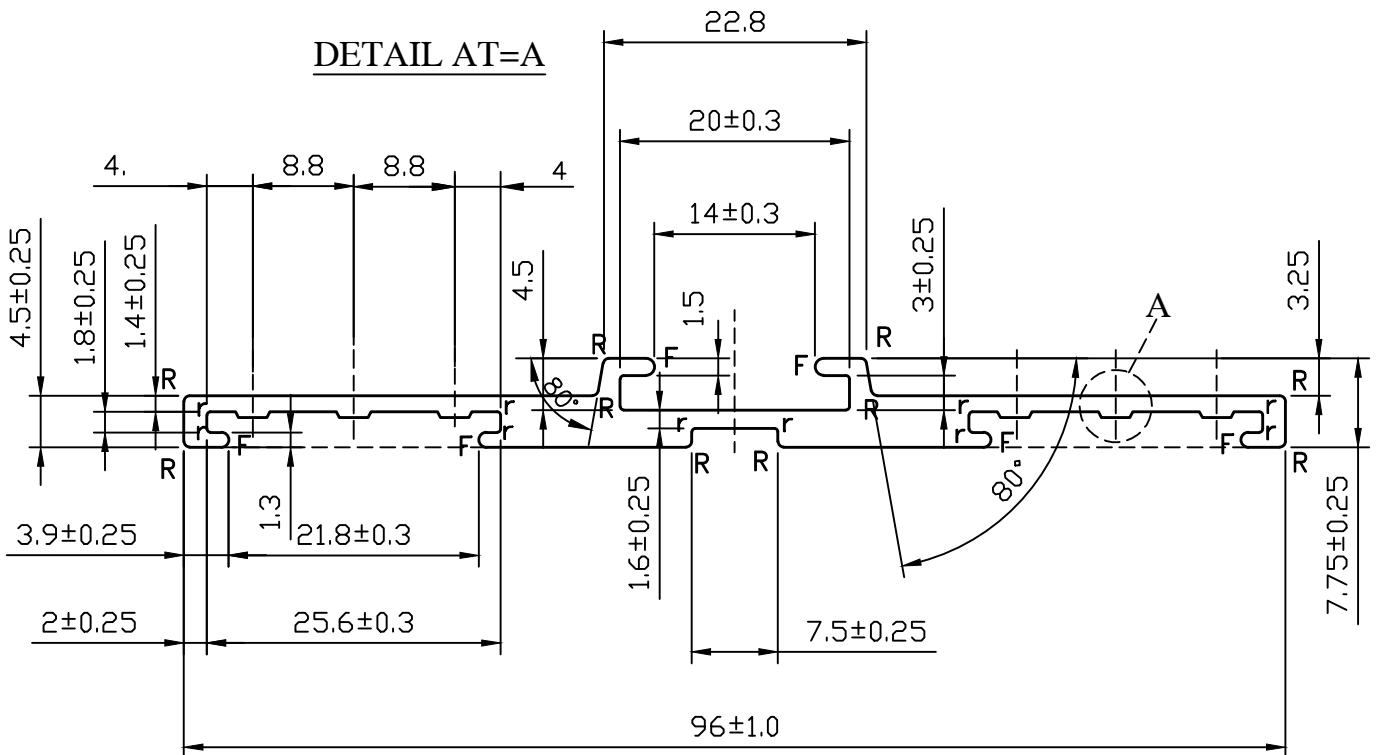
43672



SCALE: 1:1



DETAIL AT=A



NOTE:-

F = FULL RADIUS

R = 0.5R

r = 0.3R

SYMBOL OF QUALITY
AN ISO 9001 COMPANY**JINDAL ALUMINIUM LTD.**
BANGALORE-560073 (INDIA)

	NAME	DATE
DRAWN	S.K.SHARMA	10-03-2022
CHECKED		
APPROVED		

- ALL DIMENSIONS ARE IN mm.
- ROUND OFF ALL SHARP CORNERS WITH 0.40 mm.
- TOLERANCES WILL BE AS PER BS:EN-755-9, UNLESS OTHERWISE SPECIFIED

SCALE	1:1&2:1
AREA mm ²	272.72
PERIMETER mm.	254.86
WEIGHT kg/m	0.736

PARTY'S NAME M/S. KIBBLE ENTERPRISES

DRAWING No. SECTION No.

PARTY'S DRAWING No. AS PER DRAWING

IAL-D-7438

-

ALLOY & TEMPER 6063-T6

43672

43672

DESCRIPTION INDUSTRIAL SECTION