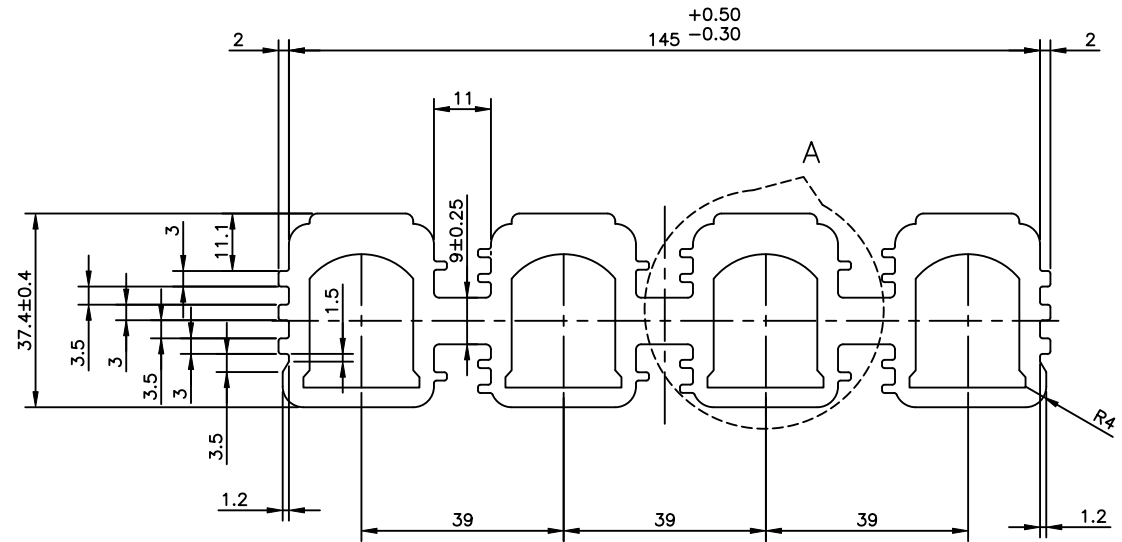
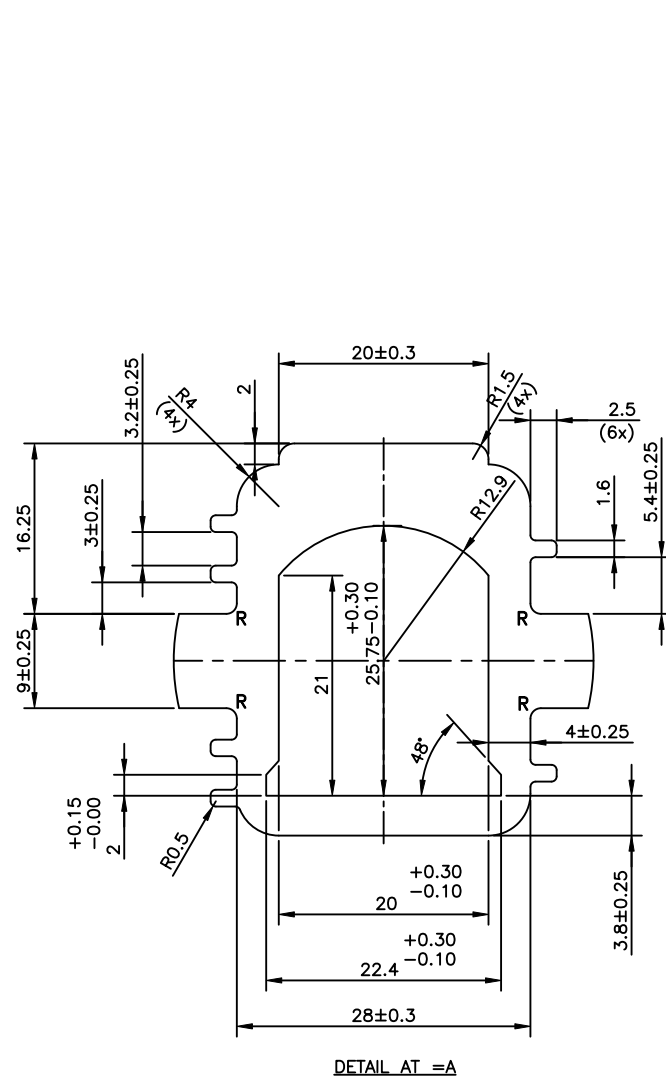


IAL-D-7401


43673



NOTE:-

R= 1.0R

TWIST = $\pm 1/4$ / 300 mm./mtr.
 FLATNESS = WIDTH X 0.005mm.
 STRAIGHTNESS = 1.50 mm./mtr.
 ANGULARITY = $\pm 1.5^\circ$

 SYMBOL OF QUALITY AN ISO 9001 COMPANY	JINDAL ALUMINIUM LTD. BANGALORE-560073 (INDIA)		NAME	DATE
			DRAWN	S.K.SHARMA 17-03-2022
			CHECKED	
1. ALL DIMENSIONS ARE IN mm. 2. ROUND OFF ALL SHARP CORNERS WITH 0.40 mm. 3. TOLERANCES WILL BE AS PER IS:6477-1983 , UNLESS OTHERWISE SPECIFIED			APPROVED	
PARTY'S NAME			M/S. ENSTO INDIA PVT.LTD.	
PARTY'S DRAWING No.			AS PER DRAWING	
ALLOY & TEMPER			6063 T6	
DESCRIPTION			-	
			SCALE	1:1
			AREA mm ²	2522.016
			PERIMETER mm.	594.561
			WEIGHT kg/m	6.809
			DRAWING No.	SECTION No.
			IAL-D-7401	-
			43673	43673