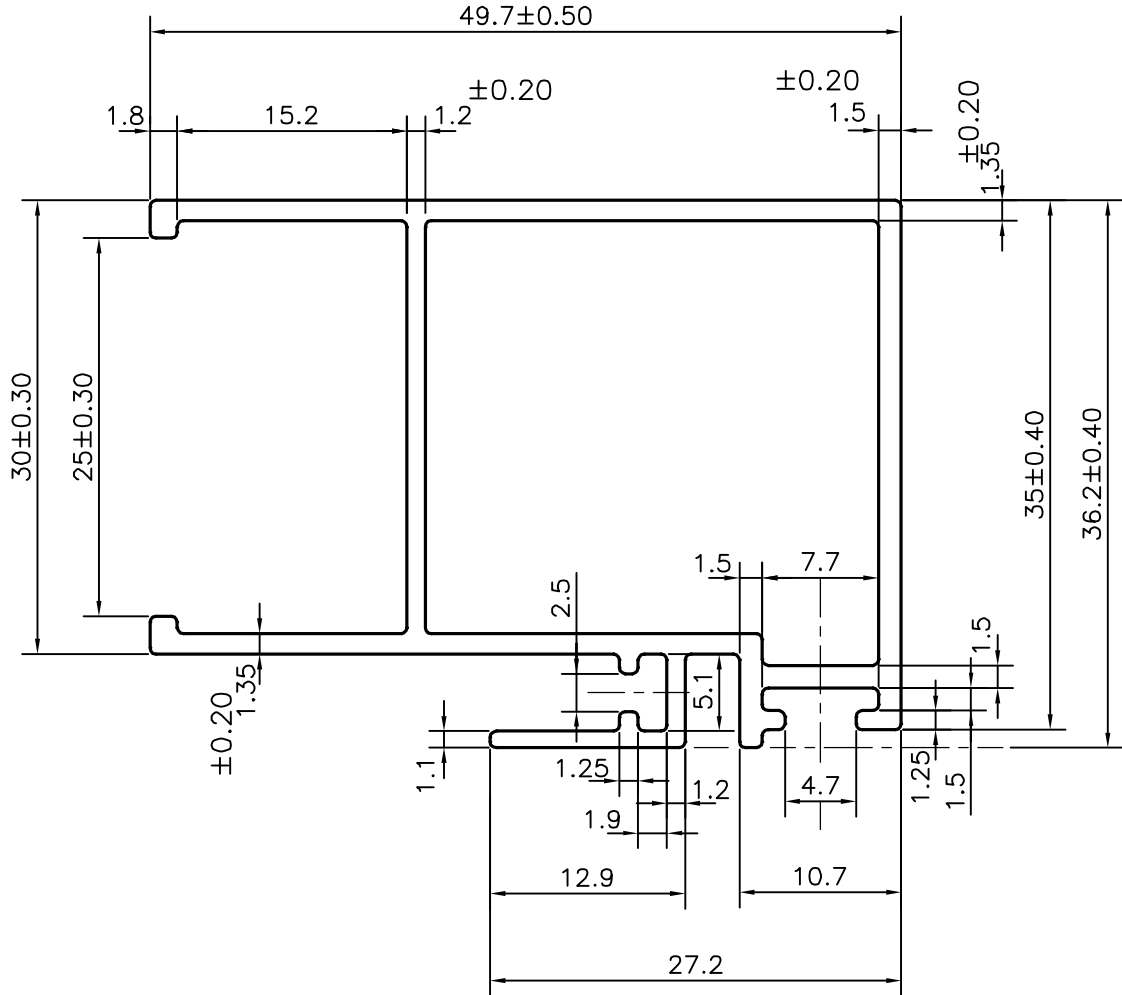
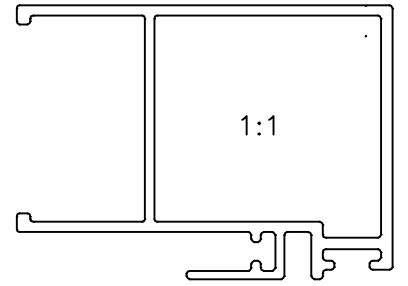


P-22198

46005



APPROXIMATE WEIGHT RANGE - 0.626 - 0.765 kg/m



SYMBOL OF QUALITY
AN ISO 9001 COMPANY

JINDAL ALUMINIUM LTD.
BANGALORE-560073 (INDIA)

	NAME	DATE
DRAWN	J.P.KAUSHIK	16-02-2021
CHECKED		
APPROVED	B.NATARAJA	30-06-2021
SCALE		2:1
AREA mm ²		257.305
PERIMETER mm.		256.376
WEIGHT kg/m		0.695
DRAWING No.	SECTION No.	
P-22198	-	
46005	46005	

1. ALL DIMENSIONS ARE IN mm.
2. ROUND OFF ALL SHARP CORNERS WITH 0.40 mm.
3. TOLERANCES WILL BE AS PER IS:6477-1983 , UNLESS OTHERWISE SPECIFIED

PARTY'S NAME	ALFA FACADE SYSTEMS PVT. LTD., PUNE
PARTY'S DRAWING No.	AS PER DRAWING
ALLOY & TEMPER	6063 T6
DESCRIPTION	INTERLOCK SECTION