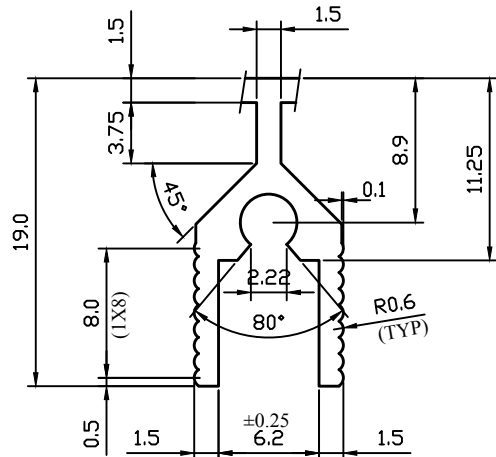
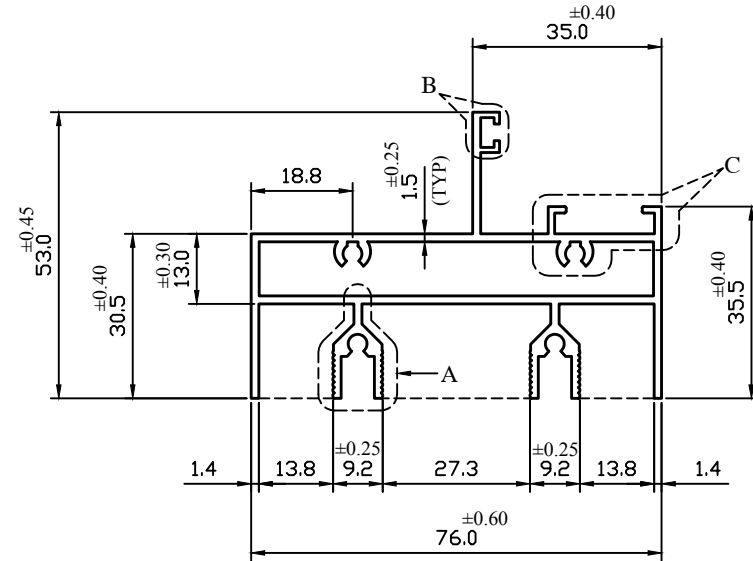


DETAIL AT-B

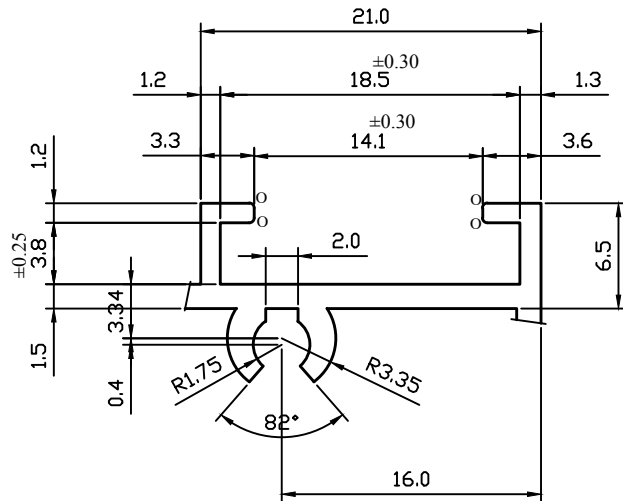


DETAIL AT-A




NOTE:-

O= 0.30R



DETAIL AT-C

 SYMBOL OF QUALITY AN ISO 9001 COMPANY	JINDAL ALUMINIUM LTD. BANGALORE-560073 (INDIA)	NAME	DATE
		DRAWN	S.K.SHARMA 27-12-2021
1. ALL DIMENSIONS ARE IN mm. 2. ROUND OFF ALL SHARP CORNERS WITH 0.40 mm. 3. TOLERANCES WILL BE AS PER IS:6477-1983 , UNLESS OTHERWISE SPECIFIED		CHECKED	
PARTY'S NAME		APPROVED	
M/S.J.P.ASSOCIATES		SCALE	1:1&3:1
PARTY'S DRAWING No.		AREA mm ²	508.0
AS PER DRAWING		PERIMETER mm.	482.5
ALLOY & TEMPER		WEIGHT kg/m	1.372
6063 T6		DRAWING No.	SECTION No.
DESCRIPTION		IAL-D-5658	-
WINDOW SECTION		46048	46048