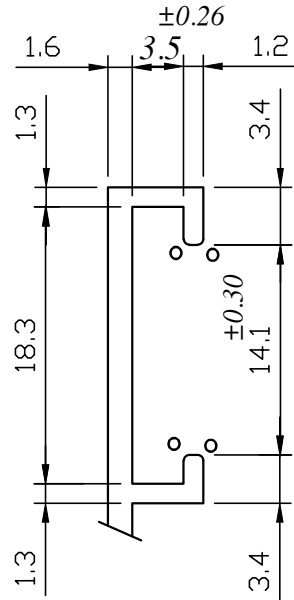


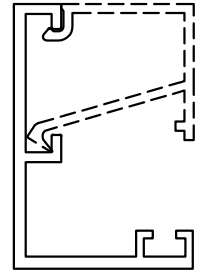
IAL-D-4269

46055

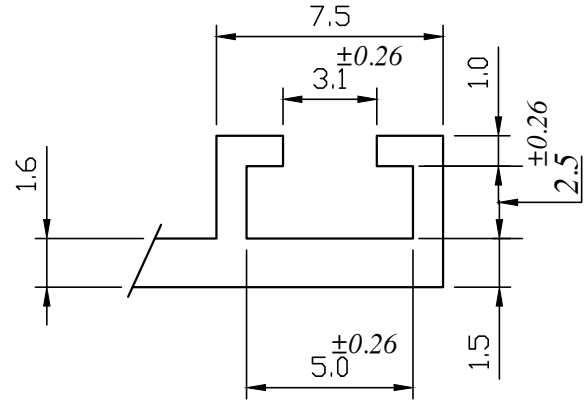
D-3913



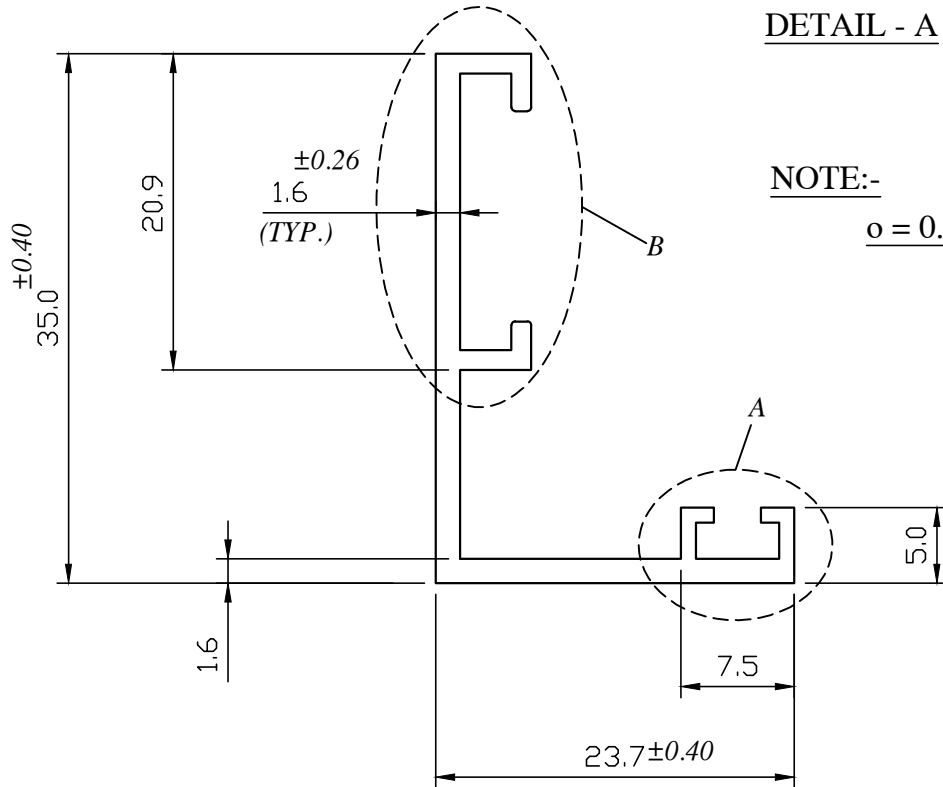
DETAIL-B



SCALE: 1:1



DETAIL - A



NOTE:-

o = 0.25R



SYMBOL OF QUALITY
AN ISO 9001 COMPANY

JINDAL ALUMINIUM LTD.
BANGALORE-560073 (INDIA)

	NAME	DATE
DRAWN	S.K.SHARMA	30-10-2021
CHECKED		
APPROVED		

1. ALL DIMENSIONS ARE IN mm.
2. ROUND OFF ALL SHARP CORNERS WITH 0.40 mm.
3. TOLERANCES WILL BE AS PER BS:EN-755-9 , UNLESS OTHERWISE SPECIFIED

SCALE	1:1&3:1
AREA mm ²	118.5
PERIMETER mm.	164.4
WEIGHT kg/m	0.320

PARTY'S NAME	M/S. AHLCON	DRAWING No.	IAL-D-4269	SECTION No.	-
PARTY'S DRAWING No.	AS PER DRAWING		46055		46055
ALLOY & TEMPER	6063-T6				
DESCRIPTION	WINDOW SECTION				