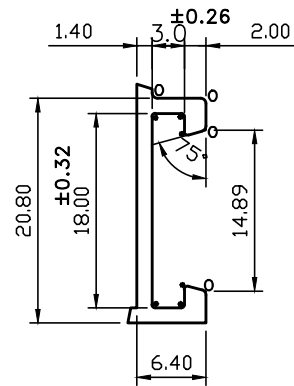
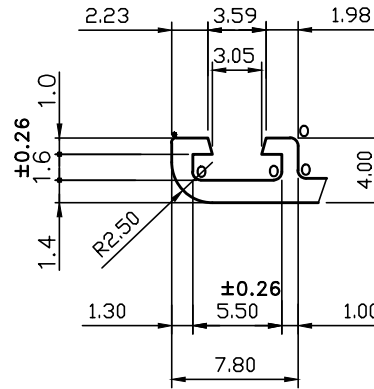


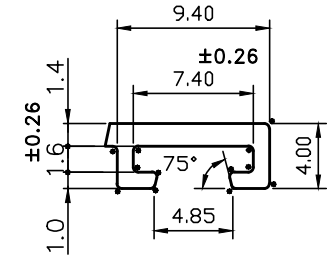
DETAIL AT- A



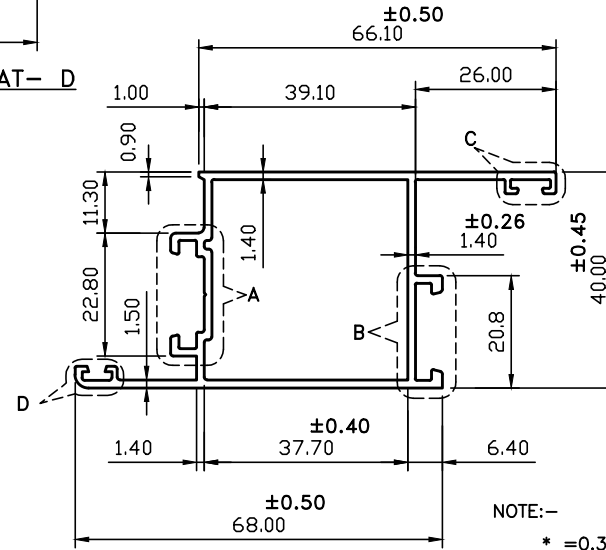
DETAIL AT- B



DETAIL AT- D




DETAIL AT- C



DOOR SHUTTER

NOTE:-

- \* = 0.3R
- O = 0.5R
- R = 1.0R

 SYMBOL OF QUALITY AN ISO 9001 COMPANY	<b>JINDAL ALUMINIUM LTD.</b> BANGALORE-560073 (INDIA)	NAME	DATE
		DRAWN	S.K.SHARMA 24-01-2022
		CHECKED	
		APPROVED	
1. ALL DIMENSIONS ARE IN mm. 2. ROUND OFF ALL SHARP CORNERS WITH 0.40 mm. 3. TOLERANCES WILL BE AS PER IS:6477-1983 , UNLESS OTHERWISE SPECIFIED		SCALE	1:1
		AREA mm <sup>2</sup>	353.0
		PERIMETER mm.	341.2
		WEIGHT kg/m	0.953
PARTY'S NAME	M/S.AAP DIVISION	DRAWING No.	SECTION No.
PARTY'S DRAWING No.	AS PER DRAWING	IAL-D-4757	-
ALLOY & TEMPER	6063 T6	46075	46075
DESCRIPTION	WINDOW SECTION		