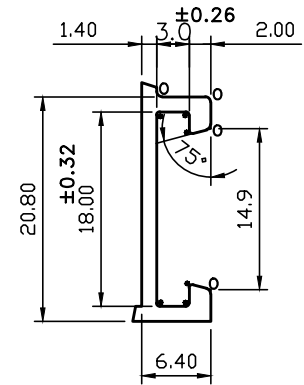
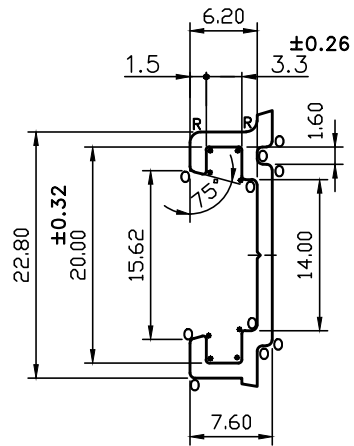


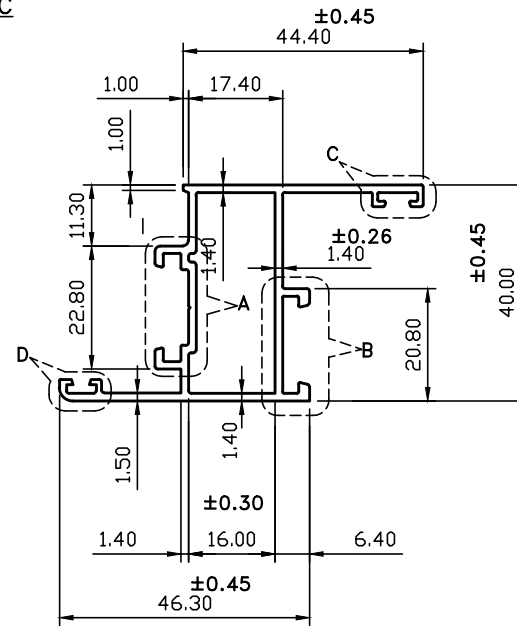
DETAIL AT- C



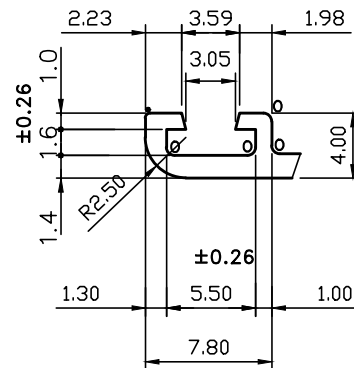
DETAIL AT- B




DETAIL AT- A



WINDOW SHUTTER



DETAIL AT- D

 SYMBOL OF QUALITY AN ISO 9001 COMPANY	JINDAL ALUMINIUM LTD. BANGALORE-560073 (INDIA)	NAME	DATE
		DRAWN	S.K.SHARMA 24-01-2022
1. ALL DIMENSIONS ARE IN mm. 2. ROUND OFF ALL SHARP CORNERS WITH 0.40 mm. 3. TOLERANCES WILL BE AS PER IS:6477-1983 , UNLESS OTHERWISE SPECIFIED		CHECKED	
PARTY'S NAME M/S.AAP DIVISION		APPROVED	
PARTY'S DRAWING No. AS PER DRAWING		SCALE	1:1
ALLOY & TEMPER 6063 T6		AREA mm ²	288
DESCRIPTION WINDOW SECTION		PERIMETER mm.	297.8
		WEIGHT kg/m	0.778
		DRAWING No.	SECTION No.
		IAL-D-4756	-
		46077	46077