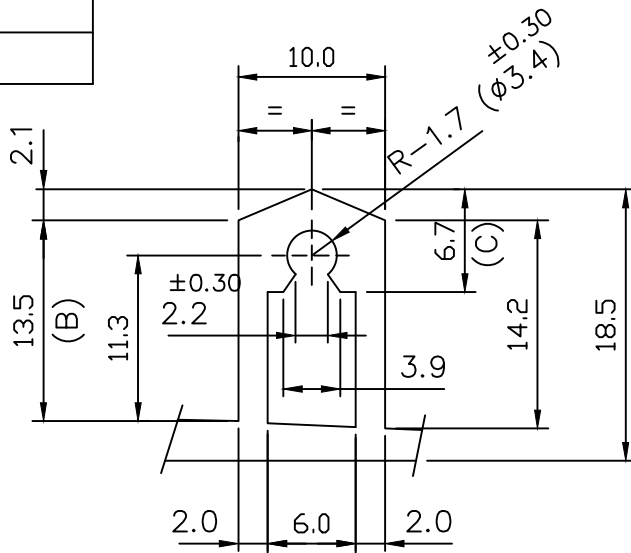
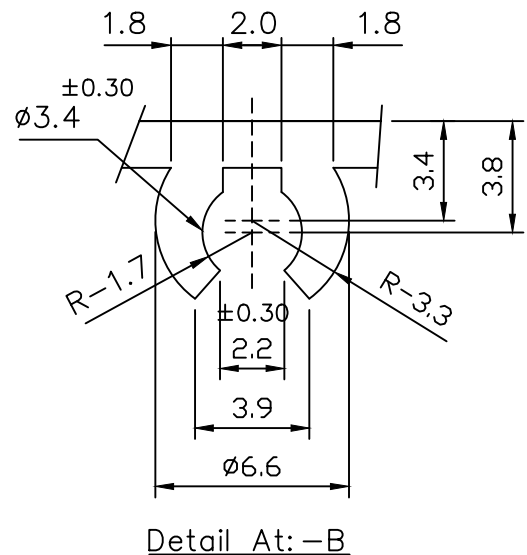


IAL-D-3856

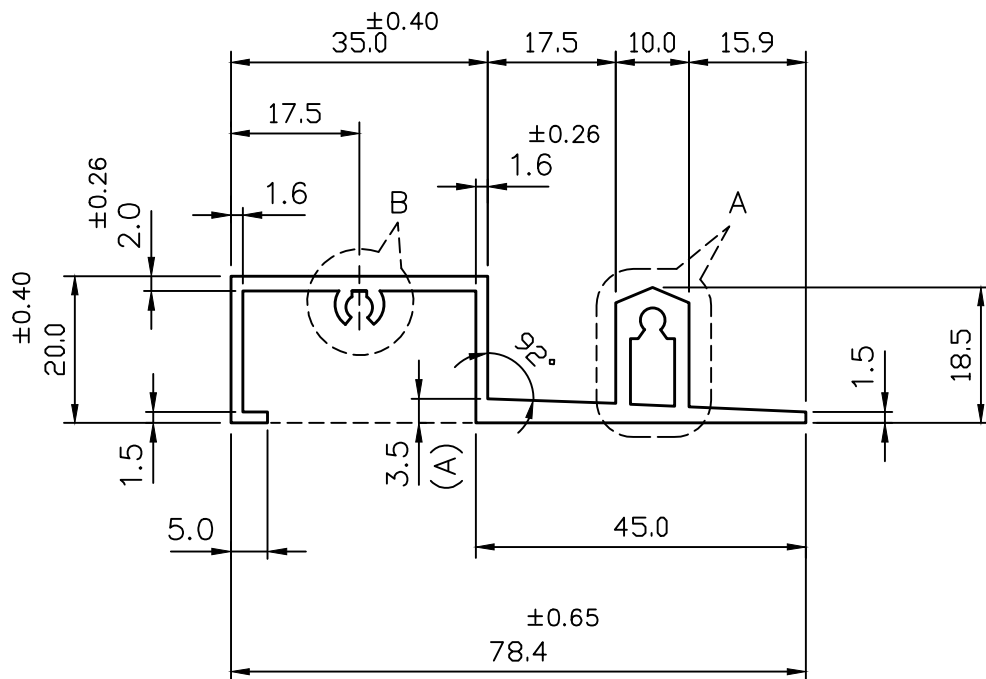
46082



Detail At: -A



Detail At: -B



SYMBOL OF QUALITY
AN ISO 9001 COMPANY

JINDAL ALUMINIUM LTD.
BANGALORE-560073 (INDIA)

	NAME	DATE
DRAWN	S.K.SHARMA	01-02-2022
CHECKED		
APPROVED		
SCALE		1:1&2:1
AREA mm ²		341.0
PERIMETER mm.		283.6
WEIGHT kg/m		0.920
DRAWING No.		SECTION No.
IAL-D-3856		-
46082		46082

1. ALL DIMENSIONS ARE IN mm.
2. ROUND OFF ALL SHARP CORNERS WITH 0.40 mm.
3. TOLERANCES WILL BE AS PER BS:EN-755-9 , UNLESS OTHERWISE SPECIFIED

PARTY'S NAME M/S. STAR ALUBUILD

PARTY'S DRAWING No. AS PER DRAWING

ALLOY & TEMPER 6063 -T6

DESCRIPTION WINDOW SECTION