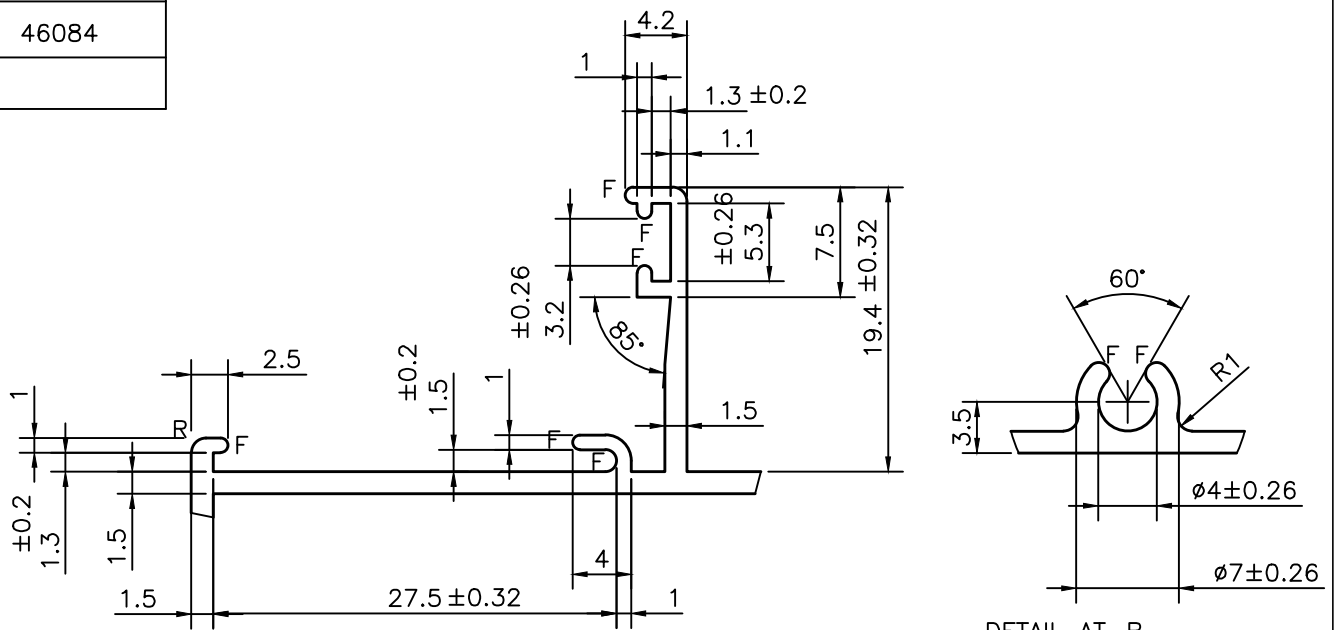


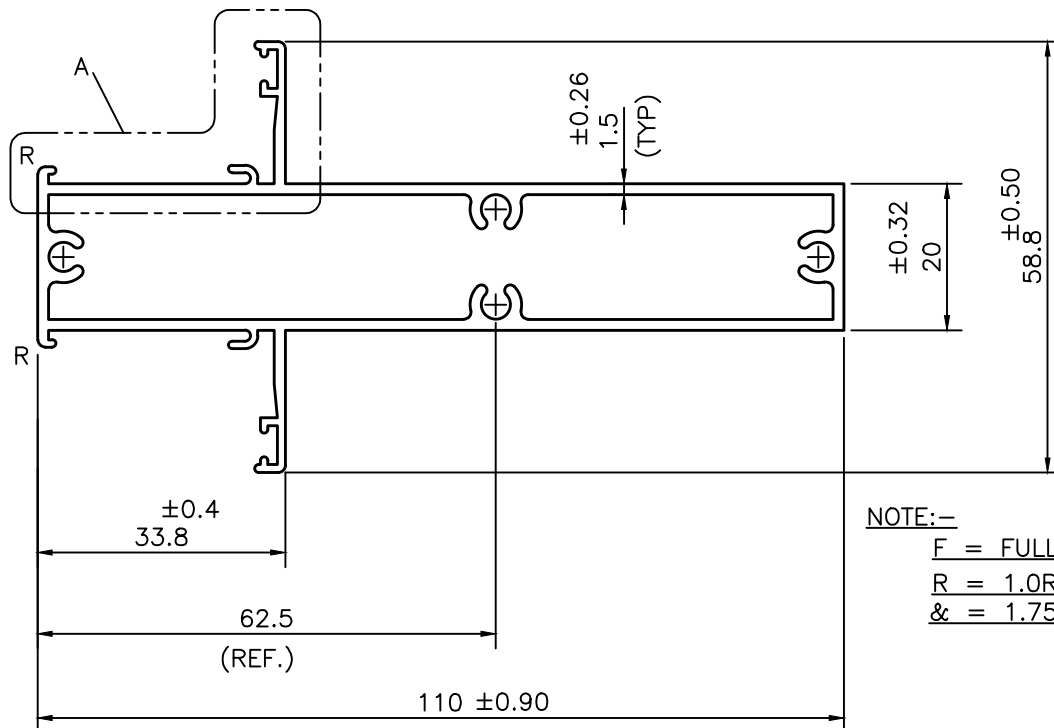
IAL-D-3446

46084



DETAIL AT-A

DETAIL AT-B



NOTE:--

F = FULL RADIUS

R = 1.0R

& = 1.75R



SYMBOL OF QUALITY
AN ISO 9001 COMPANY

JINDAL ALUMINIUM LTD.
BANGALORE-560073 (INDIA)

	NAME	DATE
DRAWN	S.K.SHARMA	04-01-2022
CHECKED		
APPROVED		
SCALE		1:1 & 2:1
AREA mm ²		530.0
PERIMETER mm.		426.6
WEIGHT kg/m		1.431
DRAWING No.	SECTION No.	
IAL-D-3446	-	
46084	46084	

1. ALL DIMENSIONS ARE IN mm.
2. ROUND OFF ALL SHARP CORNERS WITH 0.40 mm.
3. TOLERANCES WILL BE AS PER BS:EN-755-9 , UNLESS OTHERWISE SPECIFIED

PARTY'S NAME M/S.DESIGN&DECOR JALLANDHAR

PARTY'S DRAWING No. AS PER DRAWING

ALLOY & TEMPER 6063-T6

DESCRIPTION WINDOW SECTION-