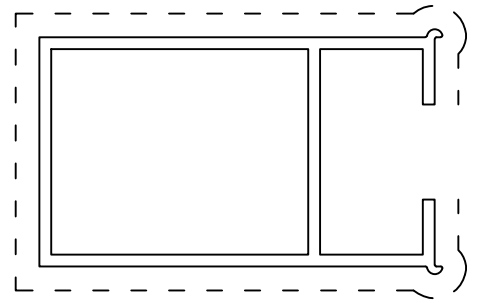


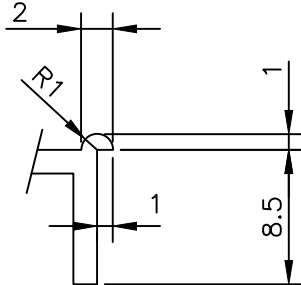
IAL-D-346

46093

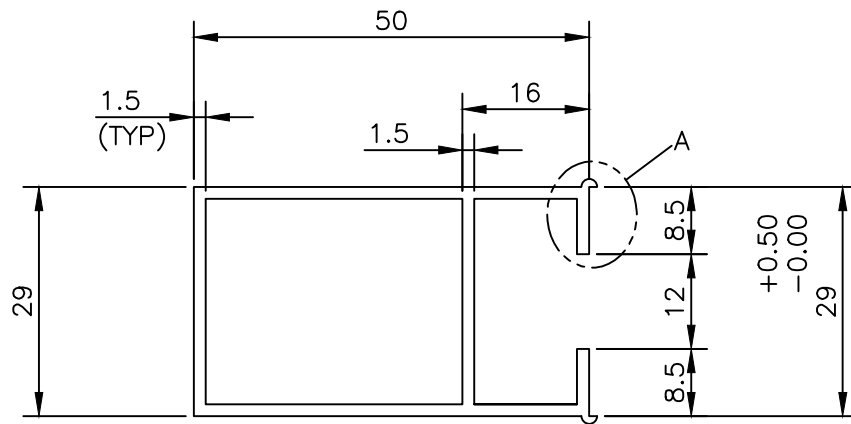
EXPOSE SURFACE - - - - -



SCALE: 1:1



DETAIL AT =A



SYMBOL OF QUALITY
AN ISO 9001 COMPANY

JINDAL ALUMINIUM LTD.
BANGALORE-560073 (INDIA)

NAME DATE

DRAWN S.K.SHARMA 14-02-2022

CHECKED

APPROVED

1. ALL DIMENSIONS ARE IN mm.
2. ROUND OFF ALL SHARP CORNERS WITH 0.40 mm.
3. TOLERANCES WILL BE AS PER BS:EN-755-9 , UNLESS OTHERWISE SPECIFIED

SCALE 1:1&2:1

AREA mm² 252.0

PERIMETER mm. 220.75

WEIGHT kg/m 0.680

PARTY'S NAME M/S UNIVERSAL ALUMINIUM

DRAWING No. SECTION No.

PARTY'S DRAWING No. AS PER DRAWING

IAL-D-346

-

ALLOY & TEMPER 6063-T6

46093

46093

DESCRIPTION WINDOW SECTION