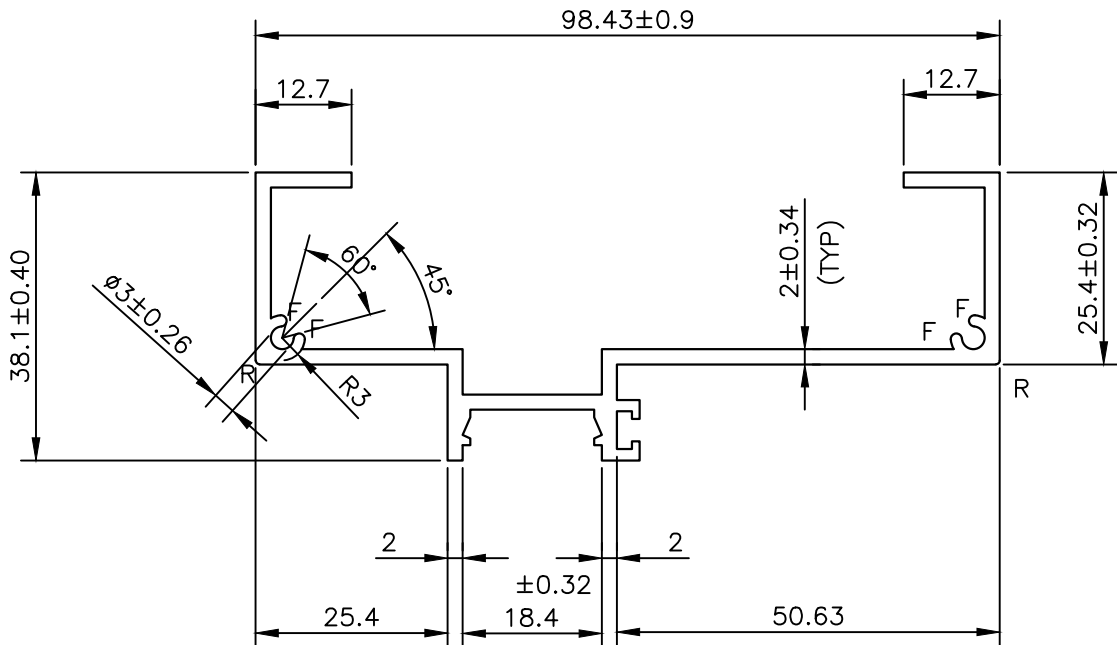
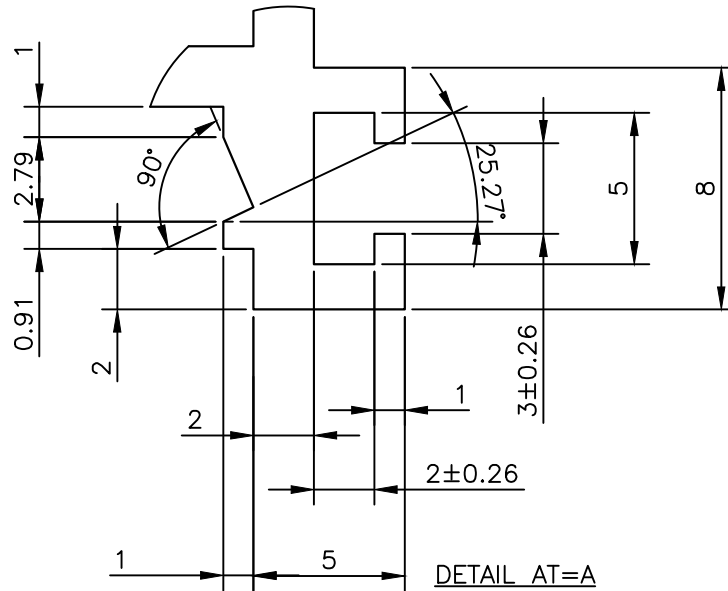


IAL-D-3067

46103



NOTE:-
F = FULL RADIUS
R = 0.5R



SYMBOL OF QUALITY
AN ISO 9001 COMPANY

JINDAL ALUMINIUM LTD.
BANGALORE-560073 (INDIA)

	NAME	DATE
DRAWN	S.K.SHARMA	02-03-2022
CHECKED		
APPROVED		

1. ALL DIMENSIONS ARE IN mm.
2. ROUND OFF ALL SHARP CORNERS WITH 0.40 mm.
3. TOLERANCES WILL BE AS PER BS:EN-755-9 , UNLESS OTHERWISE SPECIFIED

SCALE	1:1&2:1
AREA mm ²	416.0
PERIMETER mm.	417.0
WEIGHT kg/m	1.124

PARTY'S NAME M/S.AHLUWALIA CONTRACTION

DRAWING No. SECTION No.

PARTY'S DRAWING No. AS PER DRAWING

IAL-D-3067
46103 46103

ALLOY & TEMPER 6063 T6

DESCRIPTION WINDOW SECTION