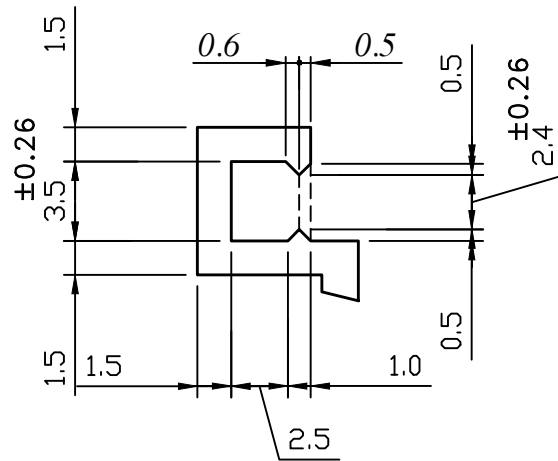
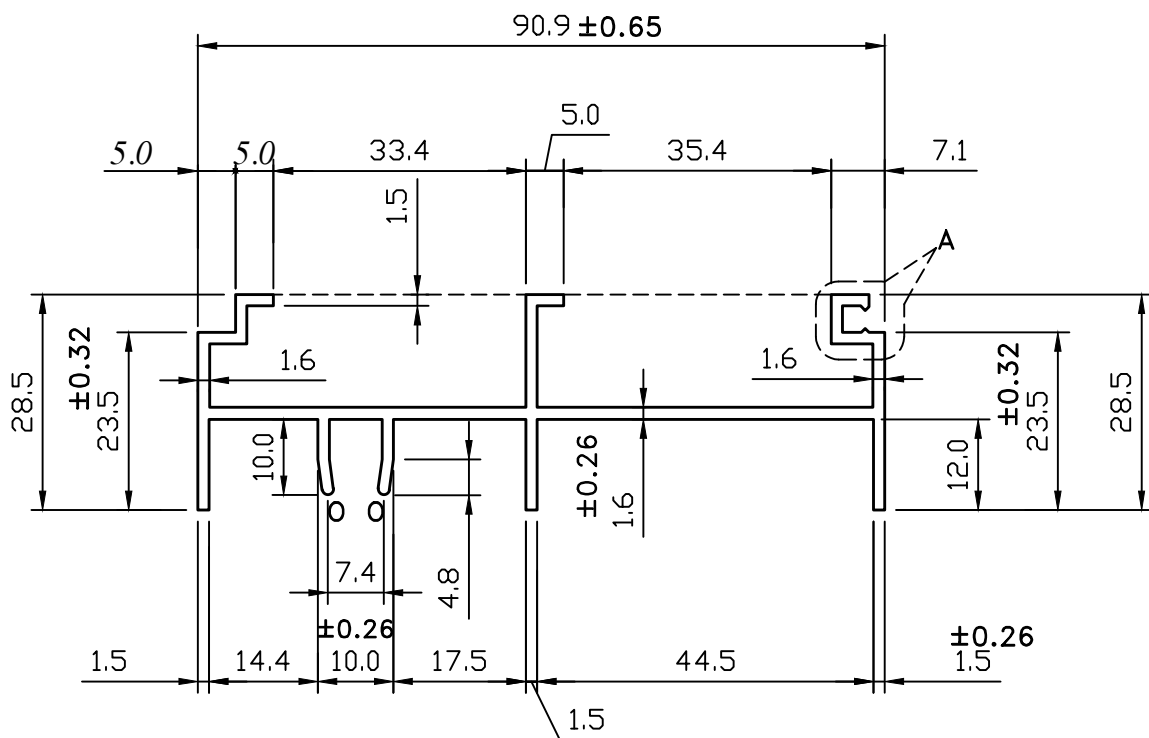


IAL-D-4505

46104



DETAIL AT-A



NOTE:-

O = 0.75R



SYMBOL OF QUALITY
AN ISO 9001 COMPANY

JINDAL ALUMINIUM LTD.
BANGALORE-560073 (INDIA)

	NAME	DATE
DRAWN	S.K.SHARMA	02-03-2022
CHECKED		
APPROVED		

SCALE	1:1&3:1
AREA mm ²	330.0
PERIMETER mm.	428.0
WEIGHT kg/m	0.891
DRAWING No.	SECTION No.
IAL-D-4505	-
46104	46104

1. ALL DIMENSIONS ARE IN mm.
2. ROUND OFF ALL SHARP CORNERS WITH 0.40 mm.
3. TOLERANCES WILL BE AS PER BS:EN-755-9 , UNLESS OTHERWISE SPECIFIED

PARTY'S NAME	M/S.AAP DIVISION
PARTY'S DRAWING No.	AS PER DRAWING
ALLOY & TEMPER	6063-T6
DESCRIPTION	WINDOW SECTION