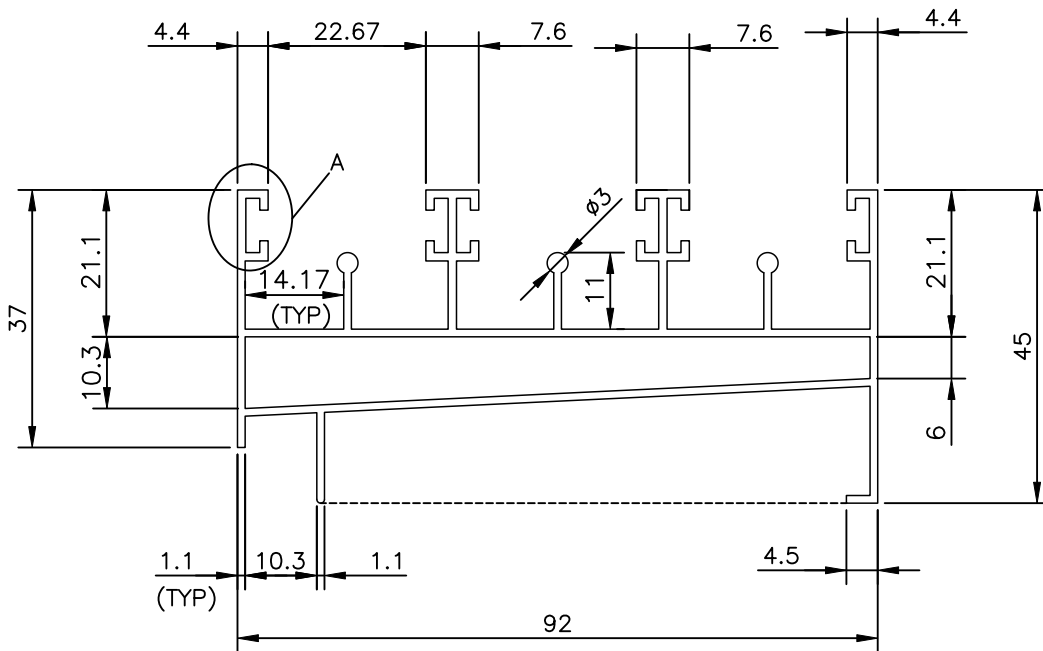
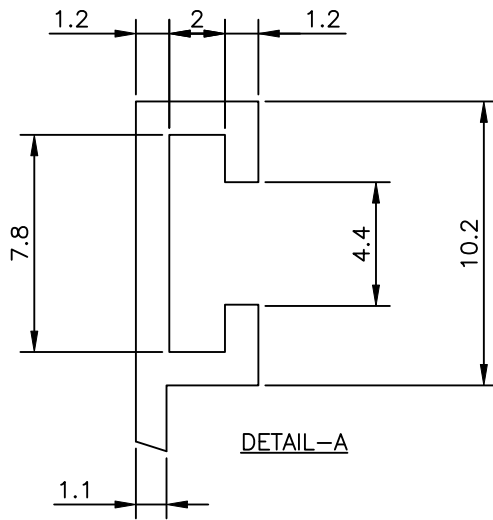



IAL-D-186
-
-



 SYMBOL OF QUALITY AN ISO 9001 COMPANY	<b>JINDAL ALUMINIUM LTD.</b> BANGALORE-560073 (INDIA)	NAME	DATE
		DRAWN	S.K.SHARMA 19-03-2022
		CHECKED	
		APPROVED	
1. ALL DIMENSIONS ARE IN mm. 2. ROUND OFF ALL SHARP CORNERS WITH 0.40 mm. 3. TOLERANCES WILL BE AS PER BS:EN-755-9, UNLESS OTHERWISE SPECIFIED		SCALE	1:1
		AREA mm <sup>2</sup>	474.122
		PERIMETER mm.	627.986
		WEIGHT kg/m	1.280
PARTY'S NAME	MARKET	DRAWING No.	SECTION No.
PARTY'S DRAWING No.	AS PER DRAWING	IAL-D-186	-
ALLOY & TEMPER	6063-T6	-	-
DESCRIPTION	--		