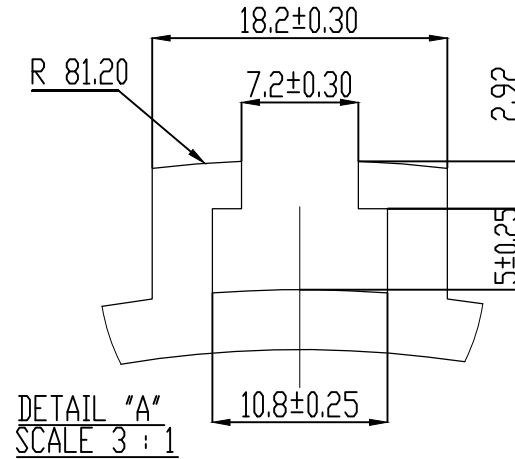
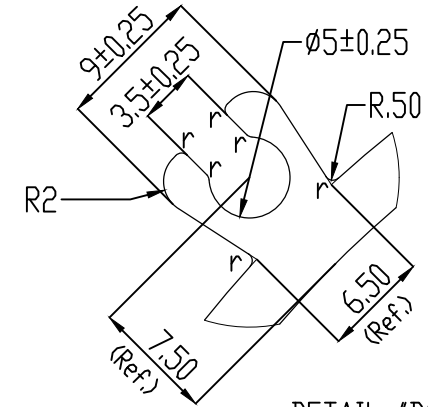
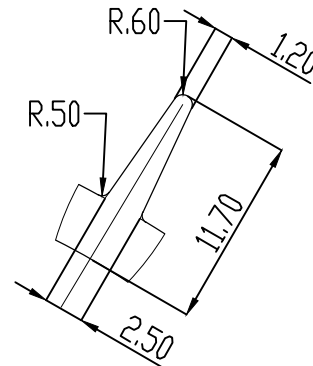



NOTE:-
r = 0.50R



 SYMBOL OF QUALITY AN ISO 9001 COMPANY	JINDAL ALUMINIUM LTD. BANGALORE-560073 (INDIA)		NAME	DATE
			DRAWN	S.K.SHARMA 05-02-2022
1. ALL DIMENSIONS ARE IN mm. 2. ROUND OFF ALL SHARP CORNERS WITH 0.40 mm. 3. TOLERANCES WILL BE AS PER IS:6477-1983 , UNLESS OTHERWISE SPECIFIED			CHECKED	
PARTY'S NAME M/S.KOHLI ALUMINIUM			APPROVED	
PARTY'S DRAWING No. AS PER DRAWING			SCALE	1:1&3:1
ALLOY & TEMPER 6063 T6			AREA mm ²	2753.05
DESCRIPTION MOTOR BODY SECTION			PERIMETER mm.	1244.0
			WEIGHT kg/m	7.433
			DRAWING No.	SECTION No.
			IAL-D-6921	-
			52018	52018