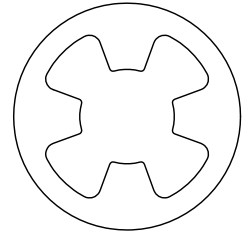
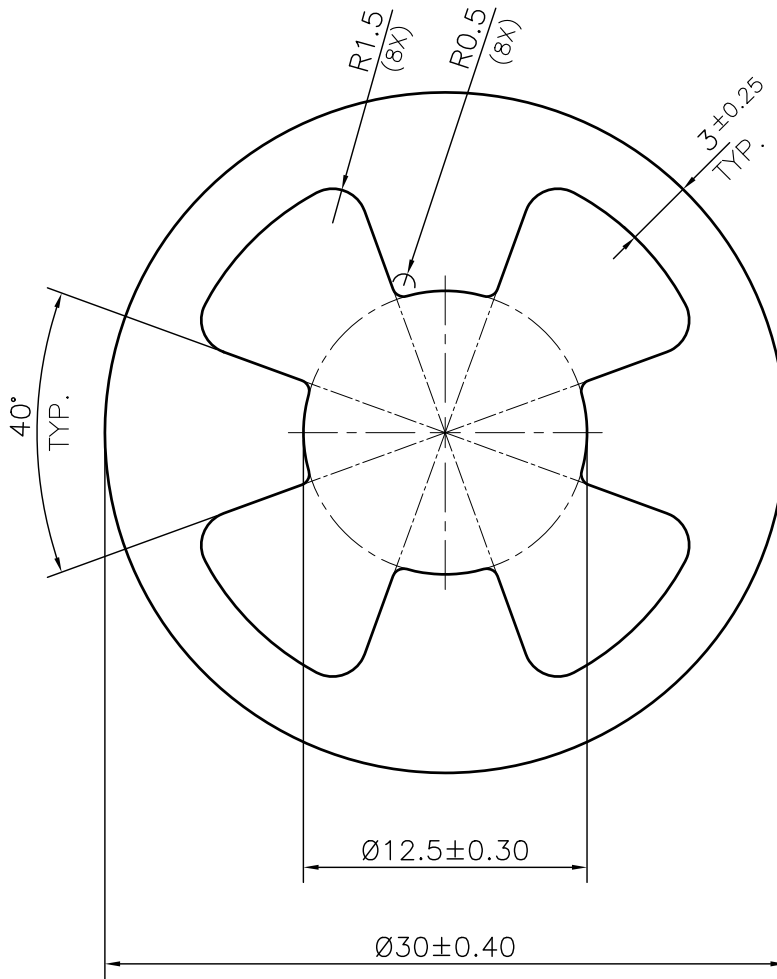


MAL NO.-17272

B1804



SCALE 1:1



1. STRAIGHTNESS= 1.7mm/M
2. TWIST= 1.7mm/M
3. ANGULARITY= $\pm 2^\circ$
4. FLATNESS= 0.007xWIDTH



SYMBOL OF QUALITY
AN ISO 9001 COMPANY

JINDAL ALUMINIUM LTD.
BHIWADI-301019 (INDIA)

		NAME	DATE
DRAWN		ASHUTOSH	17-04-2024
CHECKED			
APPROVED			
SCALE			3:1
AREA mm ²			405.395
PERIMETER mm.			94.248
WEIGHT kg/m			1.095
DRAWING No.		SECTION No.	
MAL NO.-17272		-	
B1804		B1804	

1. ALL DIMENSIONS ARE IN mm.
2. ROUND OFF ALL SHARP CORNERS WITH 0.40 mm.
3. TOLERANCES WILL BE AS PER BS:EN-755-9 , UNLESS OTHERWISE SPECIFIED

PARTY'S NAME	HARE KRISHNA	
PARTY'S DRAWING No.	AS PER DRAWING	
ALLOY & TEMPER	6063 T6	PRODUCT CODE:-075
		HSN CODE:- 76042100
DESCRIPTION	TEXTILE SECTION	