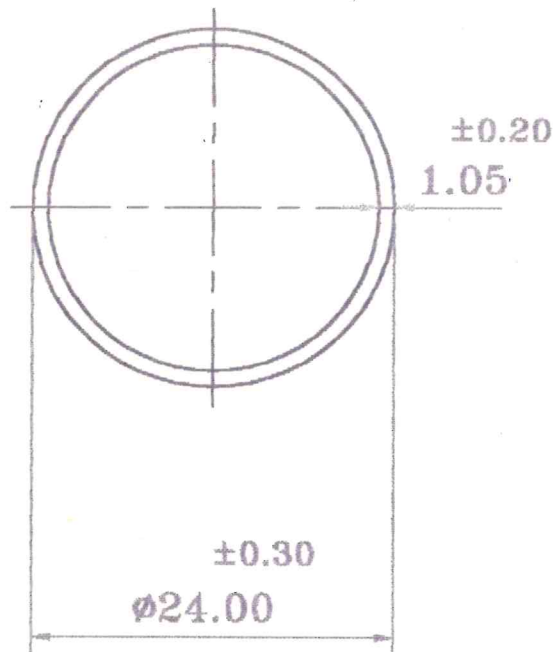


ACTUAL SIZE



UNSPECIFIED TOL.=±0.20
ALL DIMENSION ARE IN M.M.
UNSPECIFIED CORNER RADIUS:0.40

TOL. AS PER B.S.1474:1987
UNLESS SPECIFIED

TWIST =1/4°/300 M.M.
STRAIGHTNESS= ±1.5 M.M./MTR.
ANGULARITY =±2°



MAHAVIR ALUMINIUM LIMITED BHIWADI-301019

PARTY SAMPLE & NO. B-251		PARTY NAME M/S. C.S.T. - INDIA		REF No DISCUSSION WITH PARTY ON DL 7/3.2000 ALPLANT	
				DRAWN S.K.SHARMA	07.03.2000
				CHECKED SBL	21/1/07
				APPROVED SBL	21/1/07
				SCALE 1:1 & 2:1	DATE
				CRITICAL DIM. *	
				AREA 76.00	MM ²
				WEIGHT 0.205	KG/M
				WT. RANGE	KG/M
				ALLOY 6063	
				MAL No 6048	
00	REV. NO.	DESCRIPTION	SIGN DATE	PERIMETER	INT 68.76
REV. STATUS		REVISION			EXT 75.36
					SEC.NO. B-221