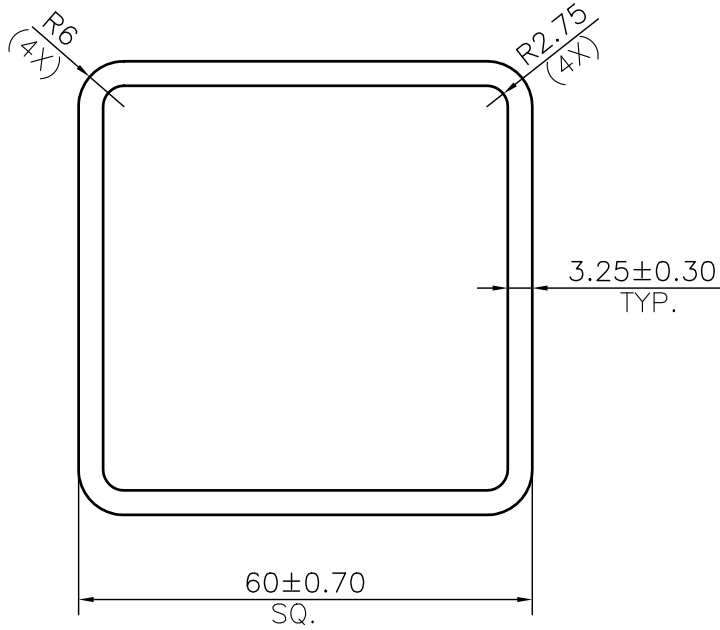


MAL NO.-16544

B983



- 1. STRAIGHTNESS= 1.7mm/M
- 2. TWIST= 1.7mm/M
- 3. ANGULARITY= ±2°
- 4. FLATNESS= 0.007xWIDTH



SYMBOL OF QUALITY
AN ISO 9001 COMPANY

JINDAL ALUMINIUM LTD.
BHIWADI-301019 (INDIA)

	NAME	DATE
DRAWN	ASHUTOSH	23-10-2023
CHECKED		
APPROVED		
SCALE		1:1
AREA mm ²		713.339
PERIMETER mm.		229.699
WEIGHT kg/m		1.926
DRAWING No.		SECTION No.
MAL NO.-16544		-
B983		B983

- 1. ALL DIMENSIONS ARE IN mm.
- 2. ROUND OFF ALL SHARP CORNERS WITH 0.40 mm.
- 3. TOLERANCES WILL BE AS PER BS:EN-755-9 , UNLESS OTHERWISE SPECIFIED

PARTY'S NAME	FAB INDIA	
PARTY'S DRAWING No.	AS PER DRAWING	
ALLOY & TEMPER	6005 T6	PRODUCT CODE:-013
		HSN CODE:- 76042100
DESCRIPTION	SQUARE TUBE	