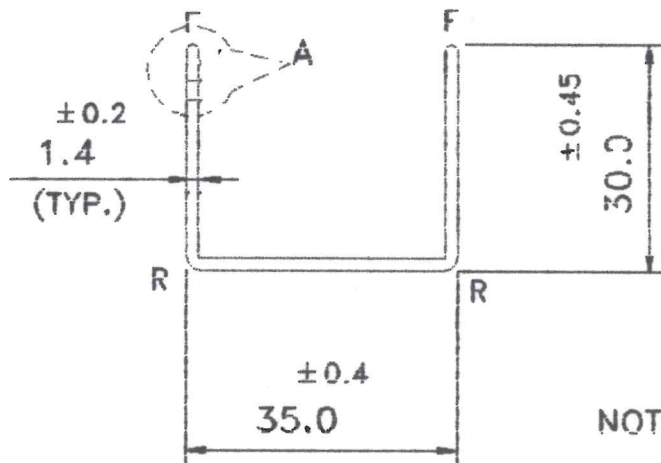


DETAIL AT - A



NOTE:-

F = FULL RADIUS
R = 2.0R

LOCATION:- P₁-2H

UNSPECIFIED TOL. = ± 0.20
ALL DIMENSION ARE IN M.M.
UNSPECIFIED CORNER RADIUS: 0.40

TOL. AS PER B.S.1474:1987
UNLESS SPECIFIED

TWIST = 1/4°/300 M.M.
STRAIGHTNESS = ± 1.5 M.M./MTR.
ANGULARITY = $\pm 2^\circ$



MAHAVIR ALUMINIUM LIMITED BHIWADI-301019

PARTY SAMPLE & DRG.1806(Sample)		PARTY NAME M/S. U K.		REF No JOB ORDER No. 5001 DATE: 3/4/2000		
				DRAWN S.K.SHARMA	31. 3.2000	AREA 129.0 MM ²
				CHECKED		WEIGHT 0.348 KG/M
				APPROVED		WT. RANGE ——— KG/M
				SCALE 1:1&4:1	DATE	ALLOY 6005 A
				CRITICAL DIM. *		MAL No 0731
REV STATUS	REV. NO.	DESCRIPTION	SIGN DATE	PERIMETER	INT ———	DRG No C-187
		REVISION			EXT 196.5	