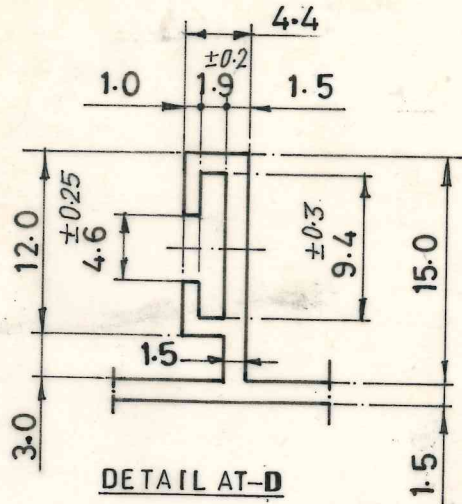
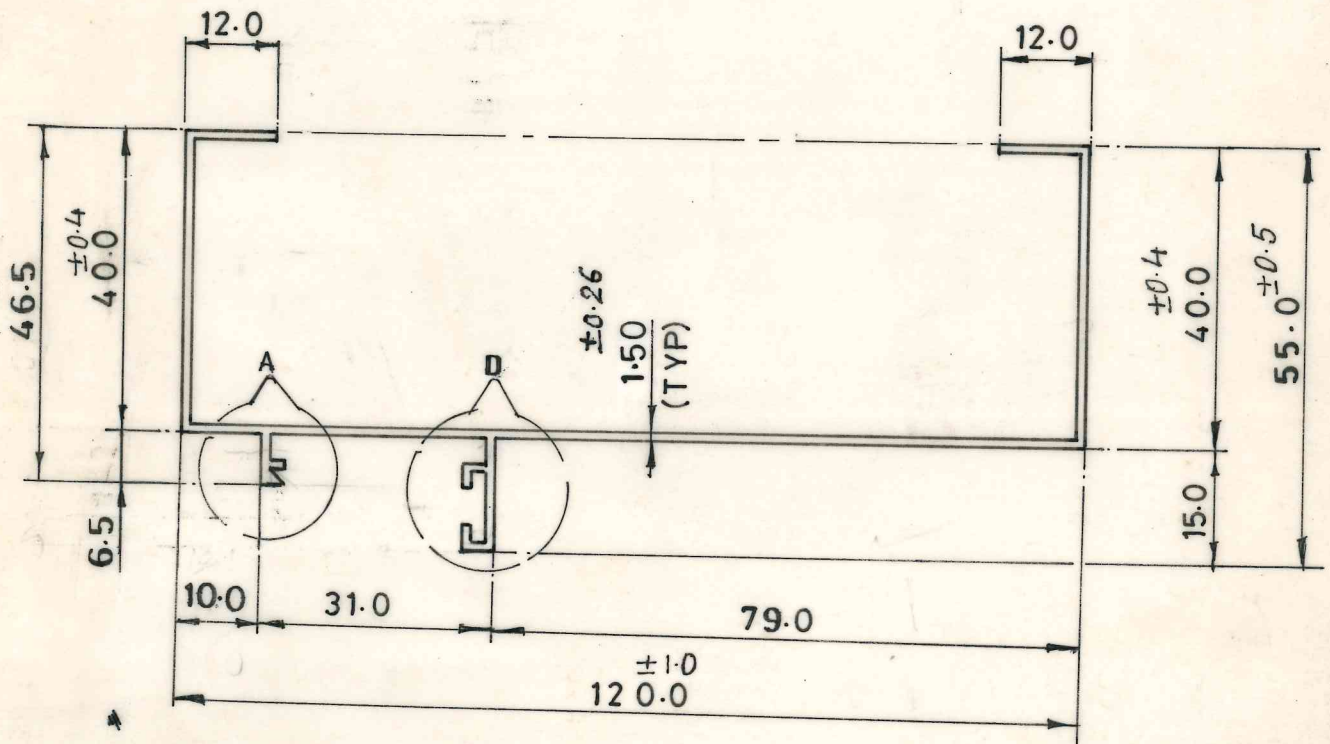


DETAIL AT-A



DETAIL AT-D



TWIST = $\frac{1}{4}$ / 300 mm. L
 STRAIGHTNESS = ± 2.5 m.m./Mt.L
 ANGULARITY = \pm _____
 FLATNESS = ± 0.48

ALL DIMENSIONS ARE IN M.M. TOL. AS PER IS 3965:1987
 UNSPECIFIED CORNER RADIUS: 0.40 UNLESS SPECIFIED



MAHAVIR ALUMINIUM LIMITED BHIWADI 301019

PARTY: Sample/Drg No DRG.		Party Name. M/S. AAP DIVISION		Ref No. AS PER DGM. TOOL ROOM 23/96	
		Drawn S.K. Sharma	25.7.96	EST. AREA	392.5 m.m ²
		Checked <i>[Signature]</i>	31.7.96	EST. WEIGHT	1.060 Kg/M
		Approved <i>[Signature]</i>	31/7/96	WL. Range	
		Scale 1:1 & 2:1	Date	Alloy & Temper	6063
001		Critical Dimn *		MAL. NO.	5031
Rev status	Rev no	Perimeter	Int	SEC. NO.	D-2539
			Ext 504.4		