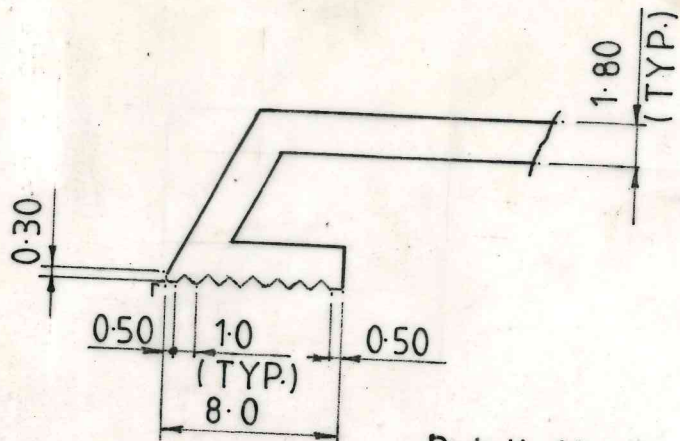
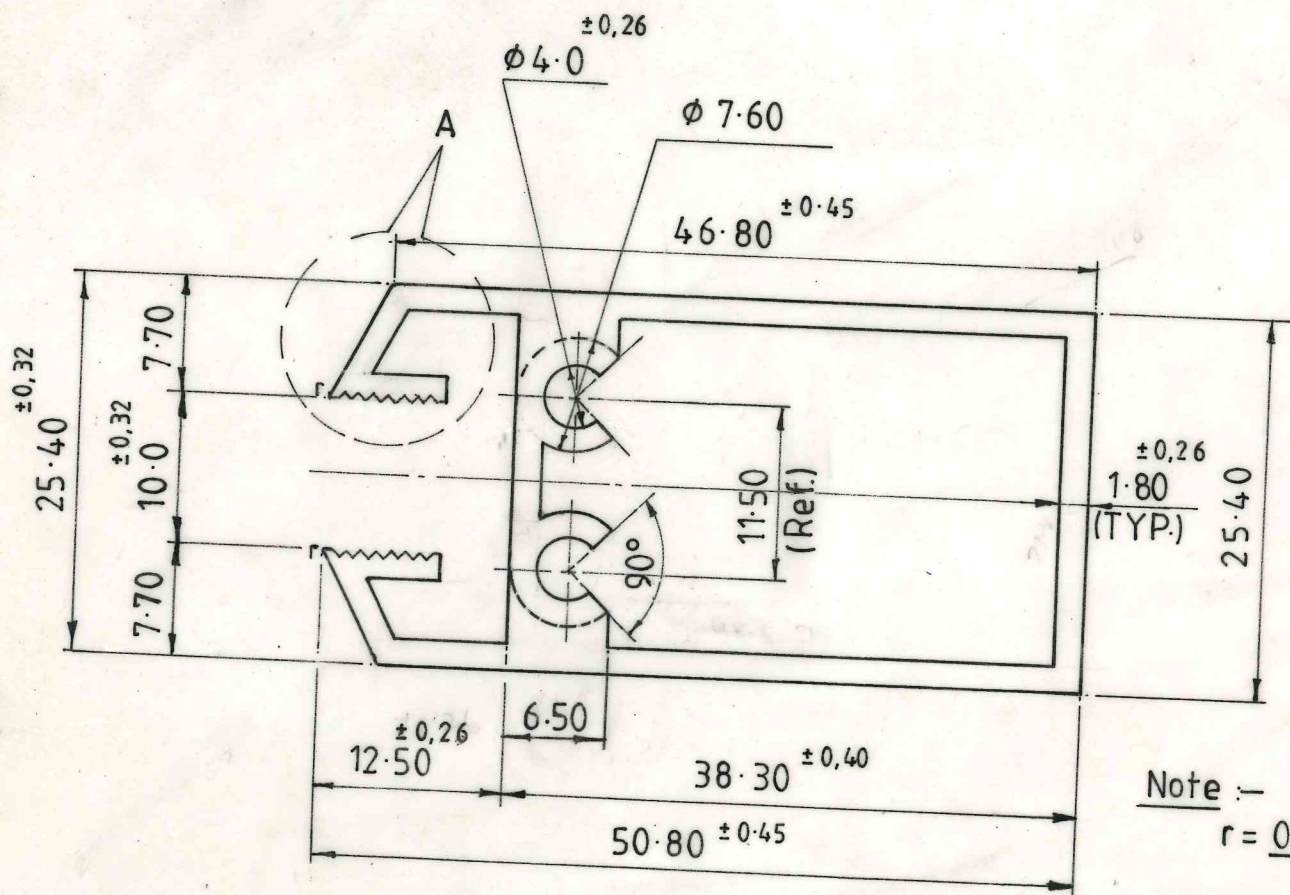


Actual Size



Detail At: A



Note :-  
r = 0.20R

LOCATION:- P2-1H.

UNSPECIFIED TOL. = ±0.2

ALL DIMENSIONS ARE IN M.M.

UNSPECIFIED CORNER RADIUS: 0.40

TOL AS PER B.S.1474:1987

UNLESS SPECIFIED

TWIST = 1/4°/300 m.m.

STRAIGHTNESS = ±2.5 m.m./Meter

ANGULARITY = ± 2°

FLATNESS = ± —



# MAHAVIR ALUMINIUM LIMITED BHIWADI-301019

Party: Sample/Drgno. SAMPLE

Party Name M/S. RAM AV TAR & CO.

Ref. no. AS PER SAMPLE Dt:- 19-12001

Drawn *Vadav*

22-1-2001

EST. AREA 345.0

m.m.<sup>2</sup>

Checked *QBP*

24/1/01

EST. WEIGHT 0.931

Kg./M.

APPROVED *QBP*

24/1/01

Wt. Range

Scale. 1:1

Date

Alloy 6063

00

CRITICAL DIMN \*

MAL. NO. 7237

Rev. status

Rev. no.

DESCRIPTION

Sign/Date

Perimeter

INT. 136.5

SEC. NO.

REVISION

EXT. 191.0

D-3143