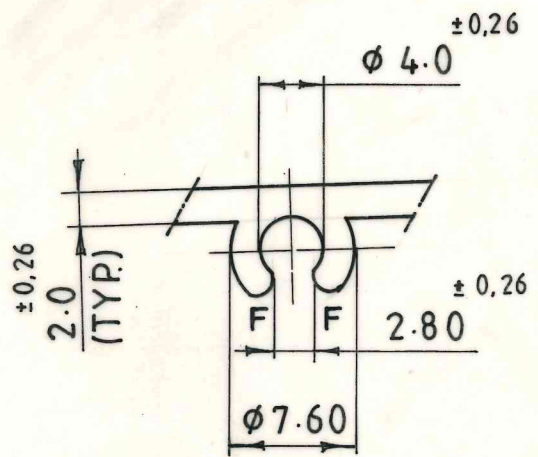
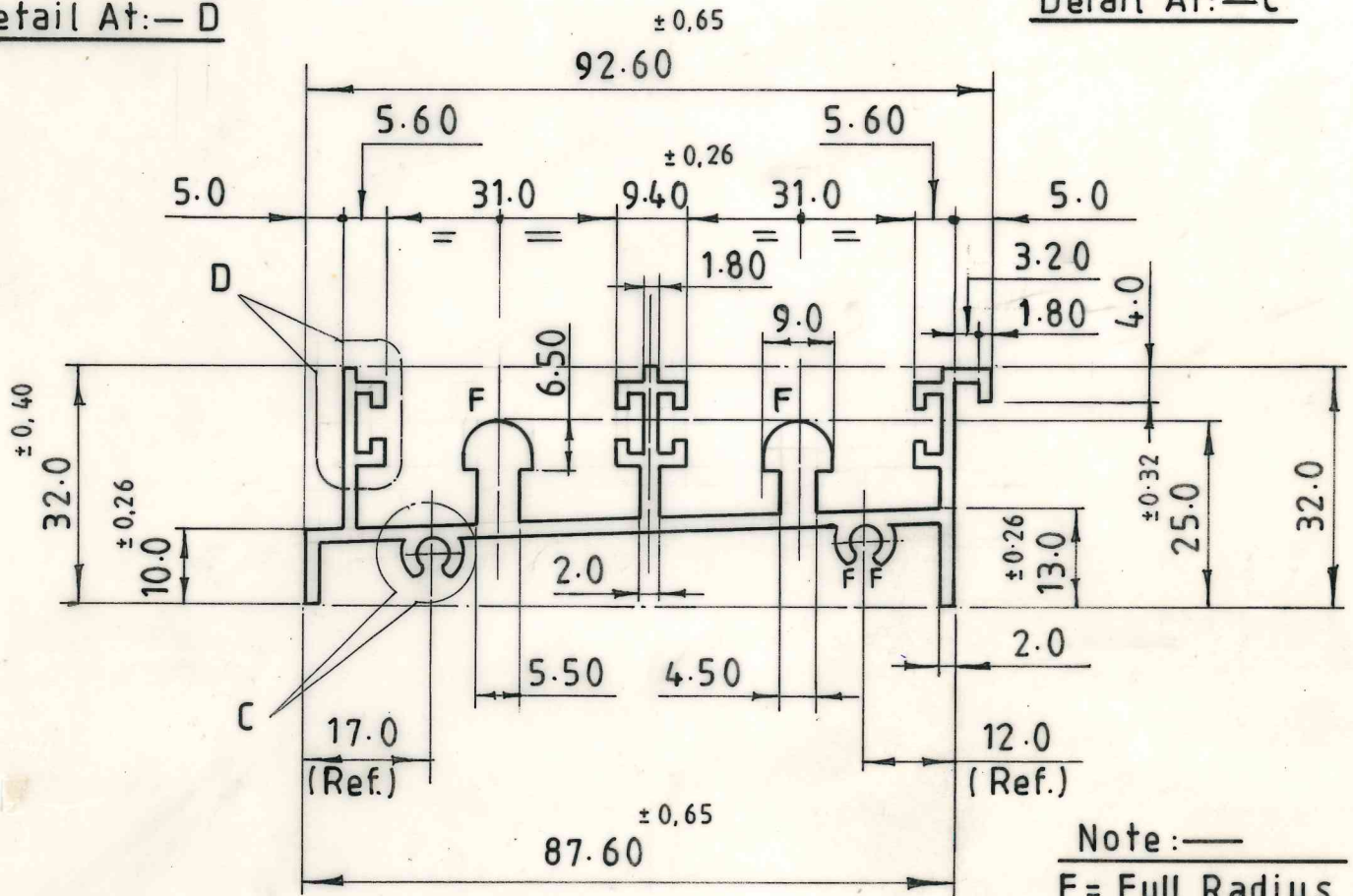


Detail At: - D



Detail At: - C



Note: —
F = Full Radius

LOCATION: P1- 1 Hole
UNSPECIFIED TOL. = ±0.2
ALL DIMENSIONS ARE IN MM.
UNSPECIFIED CORNER RADIUS: 0.40

TOL. AS PER B.S. 1474:1981
UNLESS SPECIFIED

TWIST = 1/4° 300 mm.
STRAIGHTNESS = ±2.5 mm/Meter
ANGULARITY = ± 2°
FLATNESS = ± _____

MAHAVIR ALUMINIUM LIMITED BHIWADI-301019

| | | | | | |
|-----------------------------|------|---------------------------------|-----------|--------------------------------------|------------------------|
| Party: Sample/Drg.no. _____ | | Party Name M/S, RAM AVTAR & CO. | | Ref.no: AS PER DISSC, Dt: - 24.03.01 | |
| | | Drawn Anand Sharma | 27.03.01 | EST. AREA | 648.0 m.m ² |
| | | Checked <i>ESB</i> | 28/3/01 | EST. WEIGHT | 1.750 Kg/M. |
| | | APPROVED <i>ESB</i> | 28/3/01 | Wt. Range | _____ |
| | | Scale 1:1 & 2:1 | Date | Alloy | 6063 |
| | | CRITICAL DIMN. * | | MAL. No. | 7312 |
| Rev. Status | Rev. | DESCRIPTION | Sign Date | Perimeter | INT. _____ |
| | | REVISION | | EXT. 422.5 | SEC. No. D-3251 |