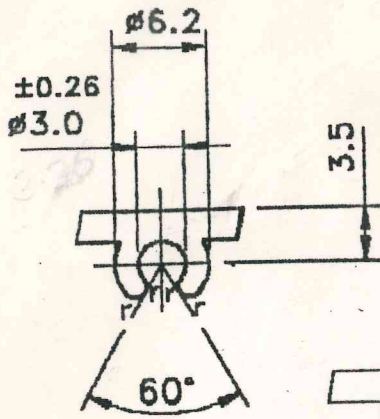
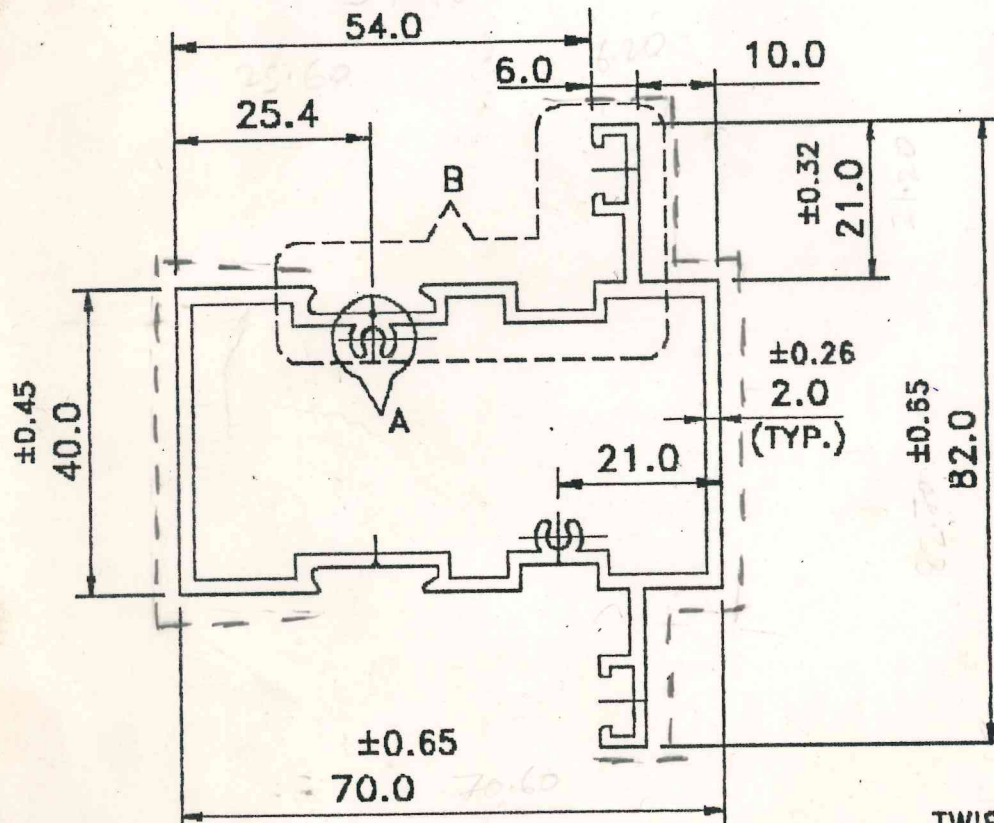
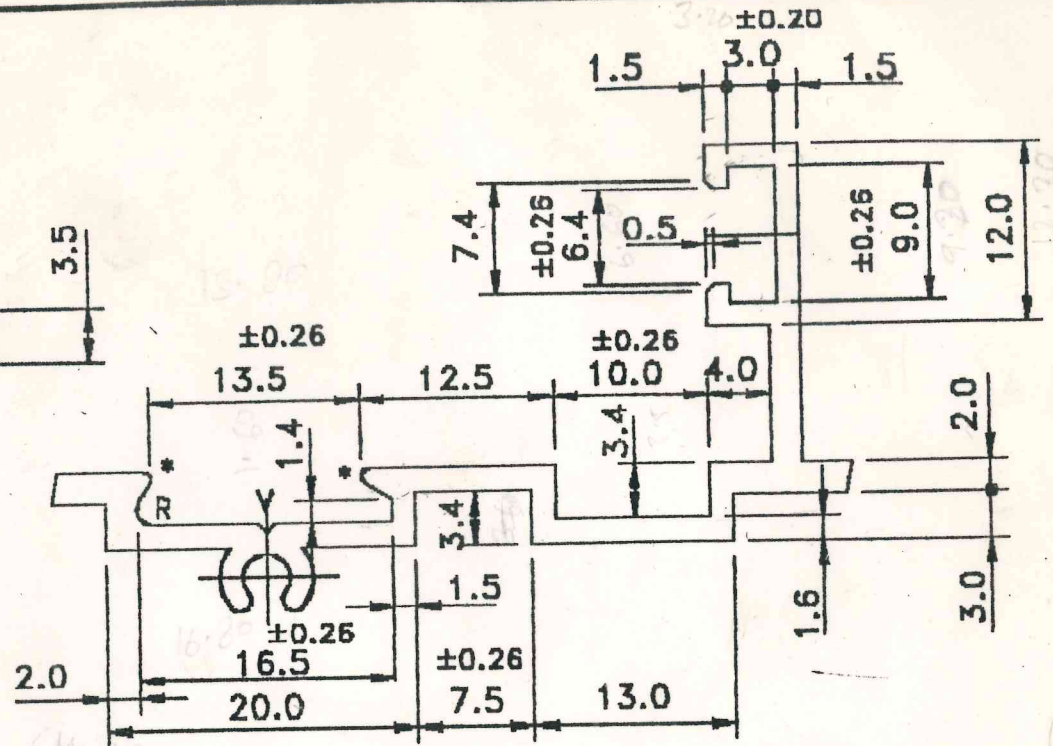


DETAIL AT=A



DETAIL AT=B



Note:-
 * = 0.5R
 R = 0.5R
 r = 0.6R
 V = 0.4x0.8x90°
 --- Expose surface

MULLION

LOCATION:-

ALL DIMENSION ARE IN M.M.
 UNSPECIFIED CORNER RADIUS:0.40

TOL. AS PER B.S.1474:1987
 UNLESS SPECIFIED

TWIST = 1/2° 300 M.M.
 STRAIGHTNESS = 1.5 M.M./MTR.
 ANGULARITY = 2°

		MAHAVIR ALUMINIUM LIMITED BHIWADI - 301019	
PARTY SAMPLE & DRG. D-3187		PARTY NAME M/s.AHLCON INDIA PVT. LTD. REF.No. AS PER DRG. DATE: 31.10.2003	
		DRAWN S.K.SHARMA 2.11.03 AREA: 587.5 MM ²	
		CHECKED <i>BS</i> 10.11.03 WEIGHT: 1.586 KG/M.	
		APPROVED <i>BS</i> 10.11.03 WT. RANGE: --- Kg/12'	
(A) SCREW GROOVES POSITION CHANGE <i>BS</i>		SCALE 1:1 & 2:1 DATE ALLOY: 6063-T6	
001 REF. MKT-22/A-42/2003-04/137 Date: 4.11.03		CRITICAL DIM. * MAL.No. 8377	
REV. STATUS REV. NO. DESCRIPTION SIGN DATE		PERIMETER INT. 255.0 EXT. 385.7 SEC.NO. D 3478	
REVISION			