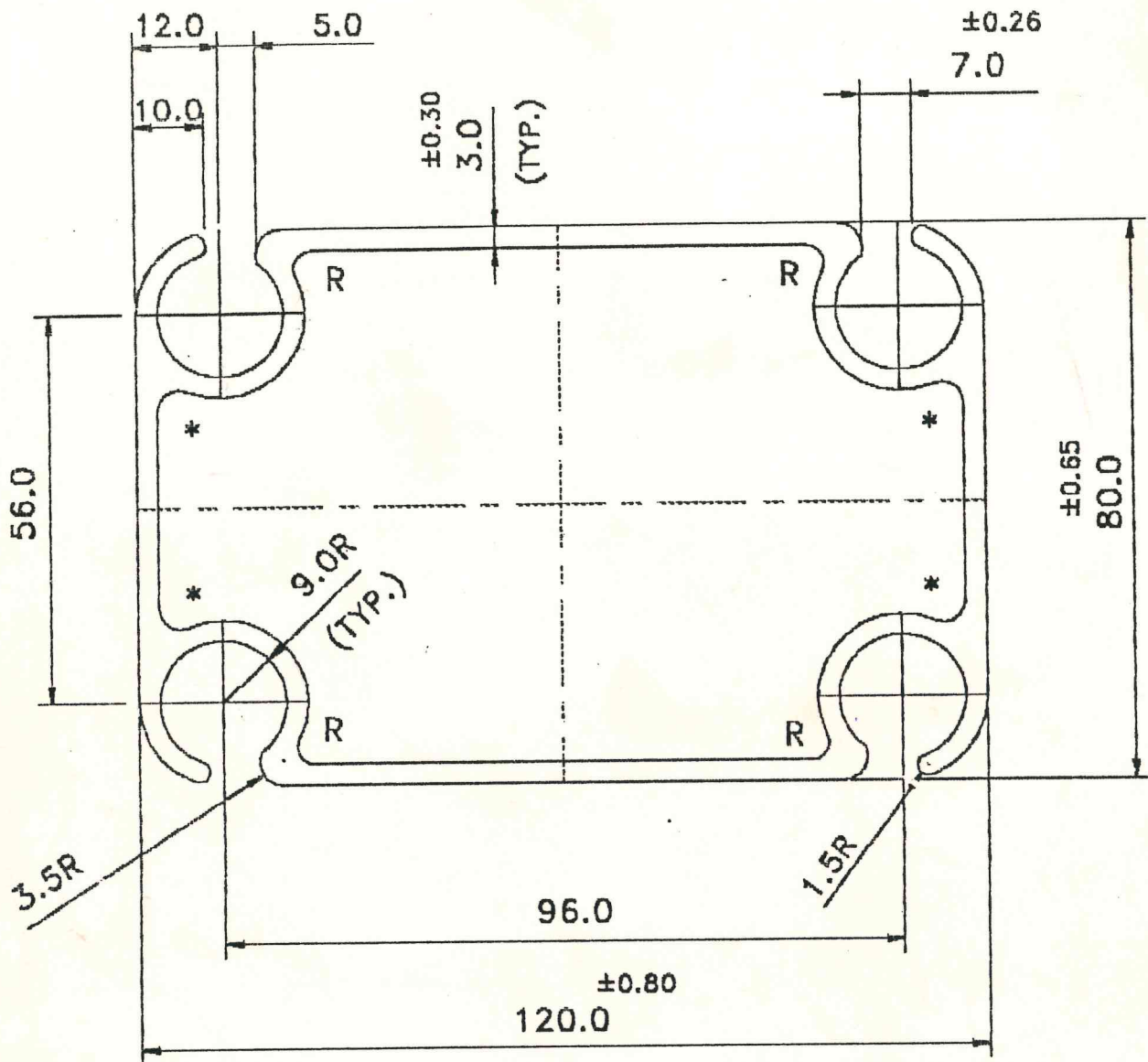


(IND)



Note:-

* = 3.0R

R = 2.5R

LOCATION:- *P₁ - 1 Hole*

TWIST = 1/2° 300 M.M.

ALL DIMENSION ARE IN M.M.
UNSPECIFIED CORNER RADIUS:0.40

TOL. AS PER B.S.1474:1987
UNLESS SPECIFIED

STRAIGHTNESS = 1.5 M.M./MTR.
ANGULARITY = 2°



MAHAVIR ALUMINIUM LIMITED BHIWADI - 301019

PARTY SAMPLE & DRG.		DRG		PARTY NAME		M/S. AL-KADI TENT		REF.No. AS PER FAX. DRG. Date: 25/11/2003	
								DRAWN S.K.SHARMA	25.11.03
								CHECKED	26.11.03
								APPROVED	26.11.03
		AL-KADI WAS R. L.	16.4.04	SCALE	1:1&2:1	DATE		ALLOY:	6063-T6
00		PARTY NAME - M/S.		CRITICAL DIM.	*			MAL.No.	8409
REV. STATUS	REV. NO.	DESCRIPTION	SIGN DATE	PERIMETER	INT. 352.5	EXT. 566.42	SEC.NO.	D-3497	
		REVISION							