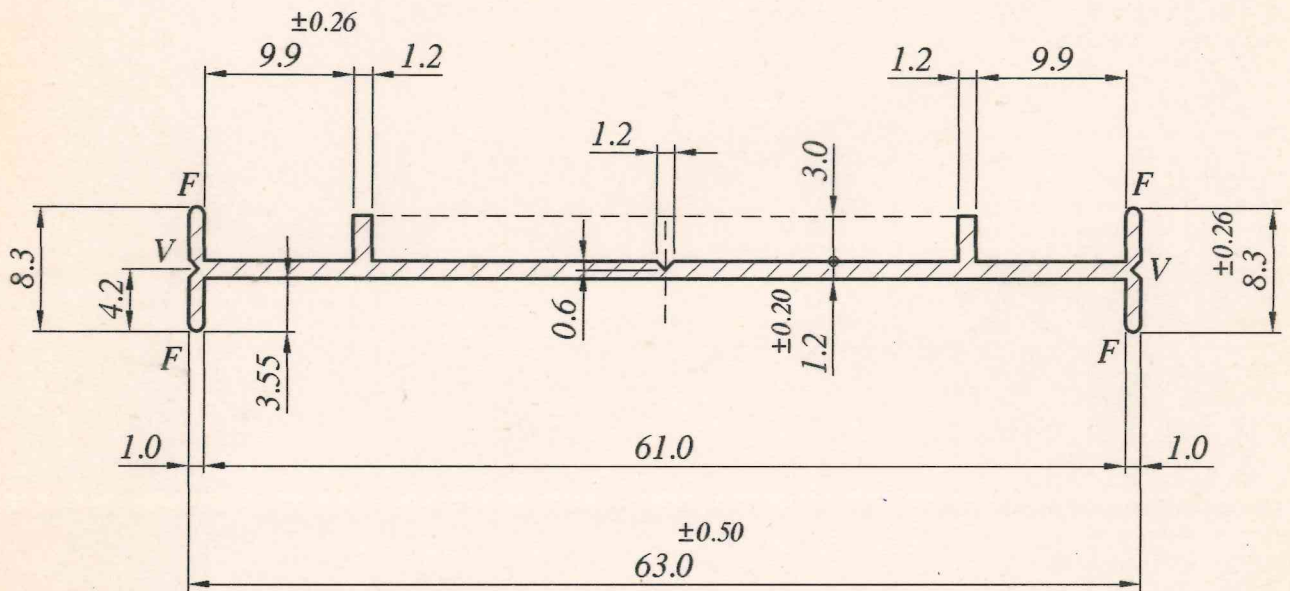


Actual Size



Note:-

$$V = 0.5 \times 1.0 \times 90^\circ$$

F = Full Radius

LOCATION:- $P_2 = 2$ Hole

ALL DIMENSION ARE IN M.M.
UNSPECIFIED CORNER RADIUS:0.40

TOL. AS PER B.S.1474:1987
UNLESS SPECIFIED

TWIST = $1/4^\circ/300$ M.M./M.

STRAIGHTNESS= 1.5 M.M./MTR.

ANGULARITY = 2°

INDO ALUSYS INDUSTRIES LIMITED BHIWADI RAJASTHAN-301019

PARTY SAMPLE & DRG.		DRG.-A	PARTY NAME M/s. UNICOS		REF:- AS PER MKT. I.O.M. Dt.-26.05.2006	
				DRAWNA.K.SHARMA	31.05.06	AREA: 96.0 MM ²
				CHECKED	24.6.06	WEIGHT: 0.259 KG/M.
				APPROVED	24.6.06	WT. RANGE: ----- Kg/12'
				SCALE 1:1	DATE	ALLOY: 6063
OO	(REV.)			CRITICAL DIM. *		MAL.No. 9578
REV. STATUS	REV. NO.	DESCRIPTION	SIGN DATE	PERIMETER	INT. -----	SEC.NO. D-4033
		REVISION			EXT. 168.6	