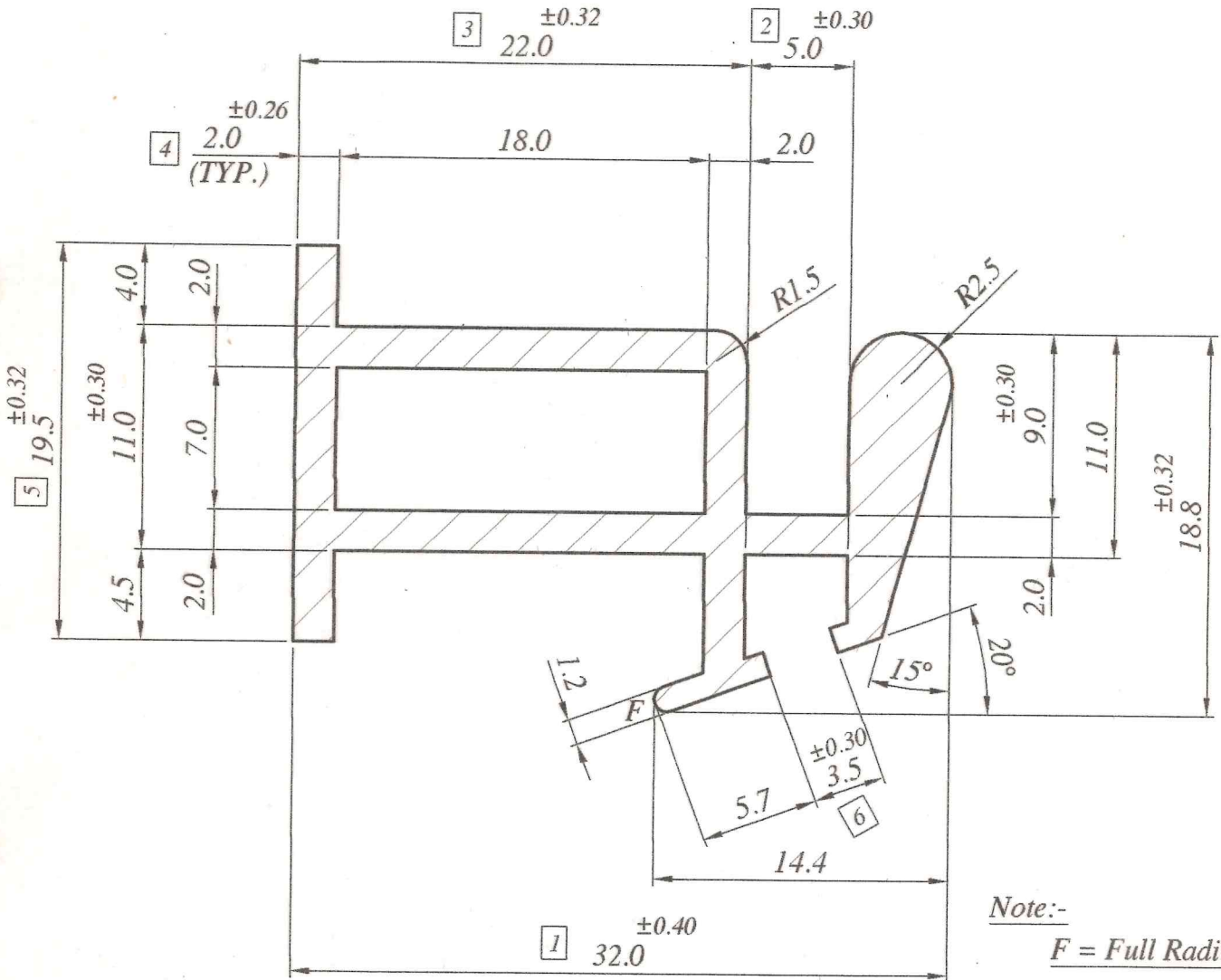


Actual Size



Note:-
F = Full Radius

SUB FRAME

LOCATION:- P2-1HOLE
ALL DIMENSION ARE IN M.M.
UNSPECIFIED CORNER RADIUS:0.40

TOL. AS PER B.S.1474:1987
UNLESS SPECIFIED

TWIST = 1/4°/300 M.M./M.
STRAIGHTNESS= 1.5 M.M./MTR.
ANGULARITY = ±2°

INDO ALUSYS INDUSTRIES LIMITED BHIWADI RAJASTHAN - 301019

PARTY SAMPLE & DRG. 42/INFD/DIES/02		PARTY NAME M/s. MILLENIUM		REF:- AS PER PARTY EMAIL DRG. Dt.-04.12.006	
				DRAWN A.K.SHARMA	05.12.06
				CHECKED <i>[Signature]</i>	6.12.06
				APPROVED <i>[Signature]</i>	6.12.06
				SCALE 1:1&3:1	DATE
				CRITICAL DIM. *	ALLOY: 6063-T6
00				PERIMETER	MAL.No. 9782
REV. STATUS	REV. NO.	DESCRIPTION	SIGN DATE	INT. 50.0	SEC.NO. D-4137
		REVISION		EXT. 145.6	