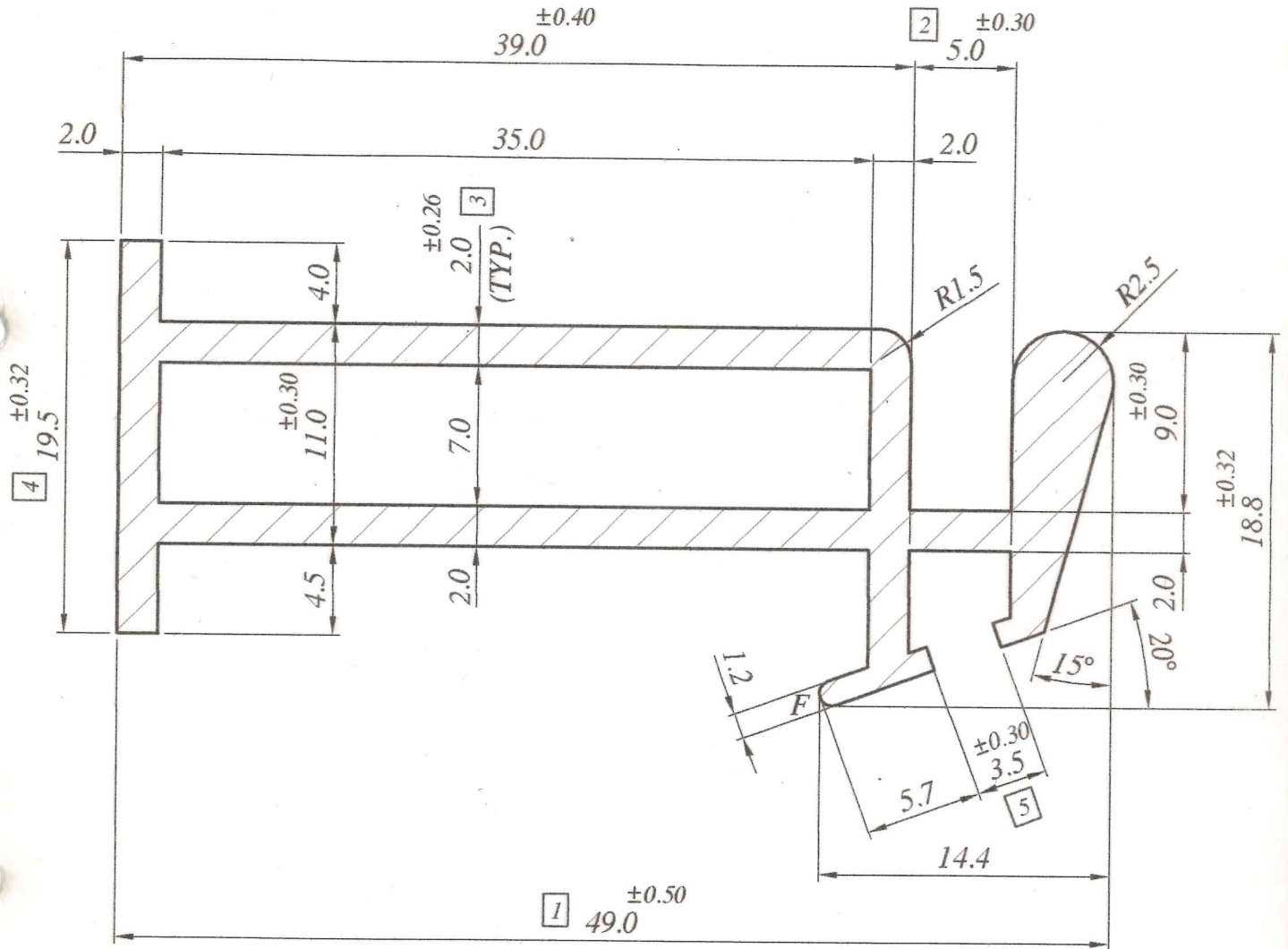
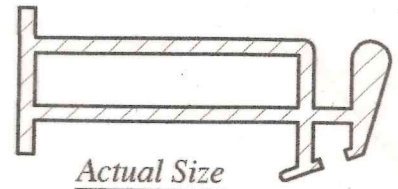


Note:-

F = Full Radius



BIG SUB FRAME

LOCATION:- P2-1HOLE
 ALL DIMENSION ARE IN M.M.
 UNSPECIFIED CORNER RADIUS:0.40

TOL. AS PER B.S.1474:1987
 UNLESS SPECIFIED

TWIST = 1/4°/300 M.M./M.
 STRAIGHTNESS= 1.5 M.M./MTR.
 ANGULARITY = ±2°

INDO ALUSYS INDUSTRIES LIMITED BHIWADI RAJASTHAN - 301019

PARTY SAMPLE & DRG. 42/INFD/DIES/O2		PARTY NAME M/s. MILLENIUM		REF:- AS PER PARTY EMAIL DRG. Dt.-04.12.006	
		DRAWN A.K.SHARMA	05.12.06	AREA:	284.0 MM ²
		CHECKED <i>SSJ</i>	6.12.06	WEIGHT:	0.766 KG/M.
		APPROVED <i>SSJ</i>	6.12.06	WT. RANGE:	----- Kg/12'
		SCALE 1:1&3:1	DATE	ALLOY:	6063-T6
00		CRITICAL DIM. *		MAL.No.	9783
REV. STATUS	REV. NO.	DESCRIPTION	SIGN DATE	PERIMETER	INT. 84.0 EXT. 179.6
REVISION				SEC.NO.	D-4138